

WAFER TYPE DOUBLE PLATE CHECK VALVE

TECHNICAL PASSPORT

DOUBLE PLATE CHECK VALVE STAINLESS STEEL BODY

CDB 6461

APPLICATION

The swing check valve TECOFI is suitable for non-loaded fluid transfer applications under regular non-pulsating conditions.

Area of use : pumping, water supply, chemical industry, desalination plants.



Fluids : clear and slightly charged waters, sea water.



GENERAL CHARACTERISTICS

Range : from DN40 to DN300.

Design according to API 594 standard.

Ensures the flowing on fluid in one direction and closes as soon as the direction is reversed. the tightness is guaranteed by the O-ring attached to the body and the plates that pivot around the central axis located in the middle of the check valve
Symmetrical flow with full opening.

The mounting direction is indicated by the arrow on the body.

Robust, lightweight and economical construction guaranteeing a small face to face dimension and requiring no maintenance. Good characteristics, low pressure losses.
Mounting on horizontal or vertical ascending piping. Closing assisted by stainless steel spring preventing the propagation of water hammer.

STANDARDS

Face to face	Face to face dimensions according to EN 558-1 (DIN3202-K3)
Connection	Mounting between flanges : - PN10, PN16, PN25 et PN40 according to EN 1092-1 - Class 150 (PN20) and Class 300 (PN50) according to ASME B16.5.

PRODUCT APPROVALS



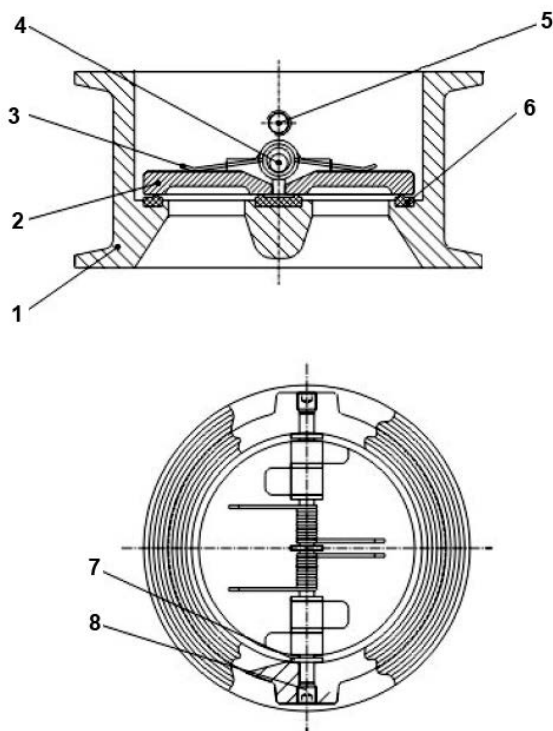
Tecofi France

83 rue Marcel Mérieux - 69960 Corbas
Tél. +33 (0)4 72 79 05 79 - Fax. +33 (0)4 78 90 19 19
E-mail : sales@tecofi.fr - www.tecofi.fr

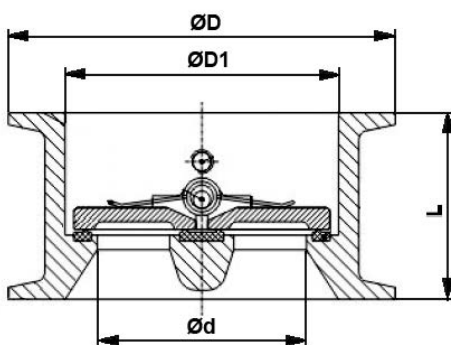


WAFER TYPE DOUBLE PLATE CHECK VALVE

TECHNICAL PASSPORT

CDB 6461
CONSTRUCTION


Pos.	Quantity	Description	Material
1	1	Body	Stainless steel CF8M
2	2	Plate	Stainless steel CF8M
3	2	Spring	Stainless steel 316
4	1	Axle	Stainless steel 316
5	1	Disc stopper	Stainless steel 316
6	1	Seat	Viton
7	7	Washer	PTFE
8	4	Plug	Stainless steel 316

DIMENSIONS


DN		Ø d	ØD	ØD1	L	Weight (kg)
mm	inch					
40	1"1/2	38	84	60	43	0.78
50	2"	48	101	65	43	1.05
65	2"1/2	59	120	80	46	1.45
80	3"	72	133	94	64	2.32
100	4"	90	162	117	64	3.36
125	5"	110	192	145	70	5.26
150	6"	135	218	170	76	7.15
200	8"	175	273	224	89	11.84
250	10"	222	328	265	114	20.36
300	12"	264	378	310	114	28.34

Tecofi France

 83 rue Marcel Mérieux - 69960 Corbas
 Tél. +33 (0)4 72 79 05 79 - Fax. +33 (0)4 78 90 19 19
 E-mail : sales@tecofi.fr - www.tecofi.fr

 ISO 9001
 ISO 14001
 BUREAU VERITAS
 Certification


Page 2/4

WAFER TYPE DOUBLE PLATE CHECK VALVE

TECHNICAL PASSPORT

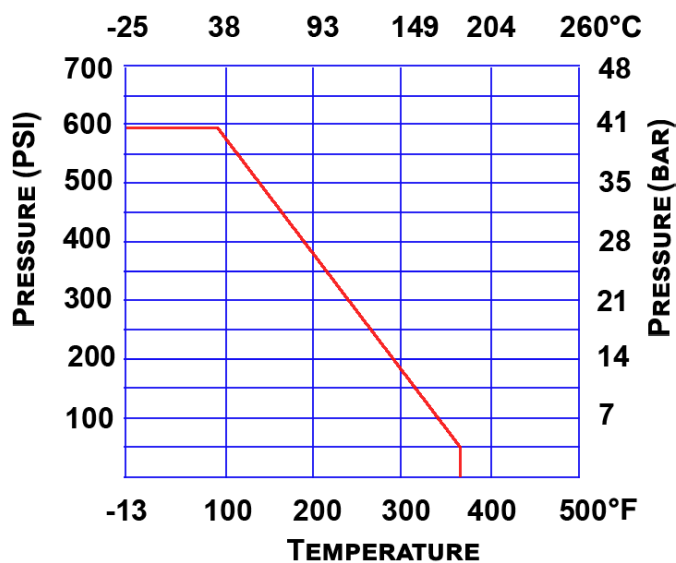
CDB 6461

WORKING CONDITIONS

Maximum working pressure : 40 bar

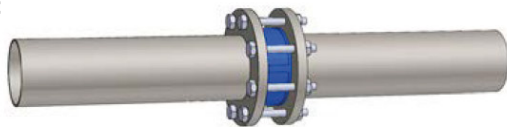
Maximum working temperature : -25°C / +180°C

PRESSURE TEMPERATURE CHART




MOUNTING

Horizontal:



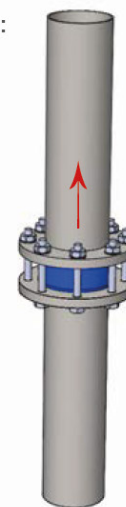
For horizontal mounting, the axis of the check valve must be vertical.



 During the mounting it is recommended to maintain a distance of 3 to 5 times the minimal diameter upstream and downstream of an elbow or appliance. This makes it possible to stay out of areas of turbulence likely to increase the risk of wear.

At the discharge of a pump it is advisable to carry out the assembly in accordance with the **FD CEN/TR 13932** standards

Vertical:



Vertical mounting with ascending fluid.

Tecofi France

83 rue Marcel Mérieux - 69960 Corbas
Tél. +33 (0)4 72 79 05 79 - Fax. +33 (0)4 78 90 19 19
E-mail : sales@tecofi.fr - www.tecofi.fr



WAFER TYPE DOUBLE PLATE CHECK VALVE

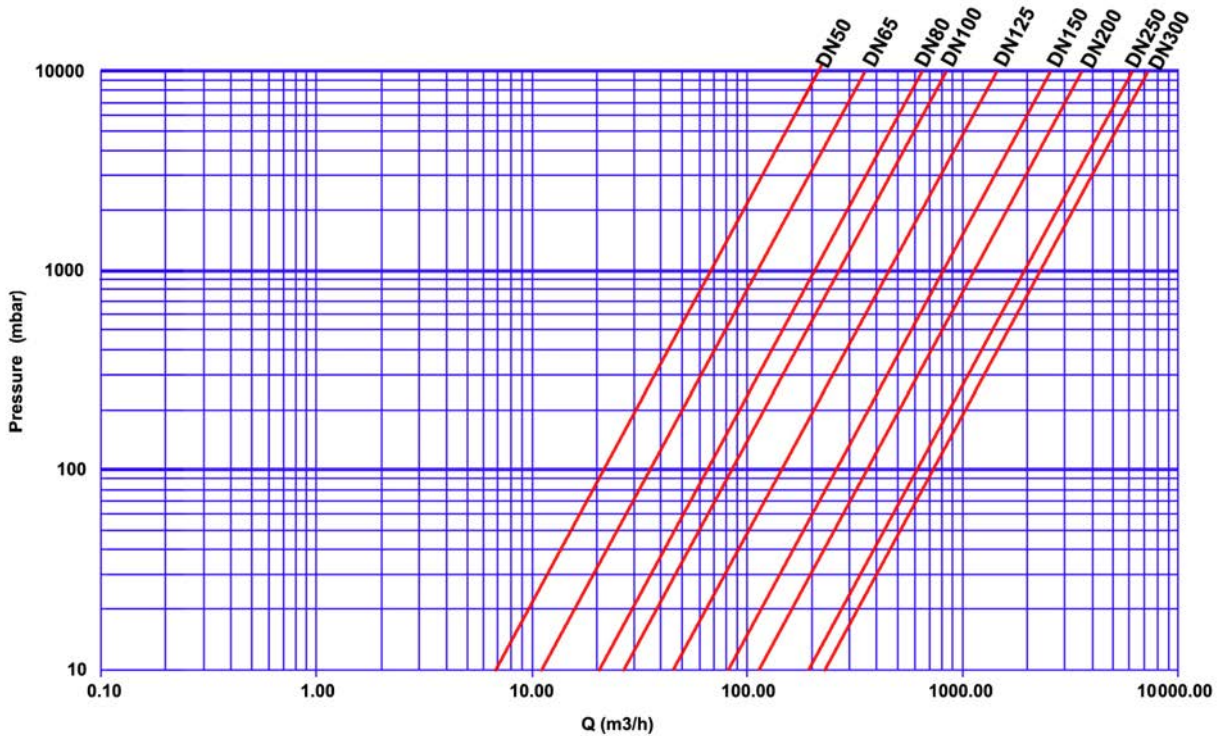
TECHNICAL PASSPORT

CDB 6461

FLOW FACTOR- Kv

DN	mm inch	50 2"	65 2"1/2	80 3"	100 4"	125 5"	150 6"	200 8"	250 10"	300 12"
Kv	m ³ /h	68	111	206	266	455	813	1132	1950	2300

HEAD LOSS DIAGRAM



Tecofi France

83 rue Marcel Mérieux - 69960 Corbas
Tél. +33 (0)4 72 79 05 79 - Fax. +33 (0)4 78 90 19 19
E-mail : sales@tecofi.fr - www.tecofi.fr

