



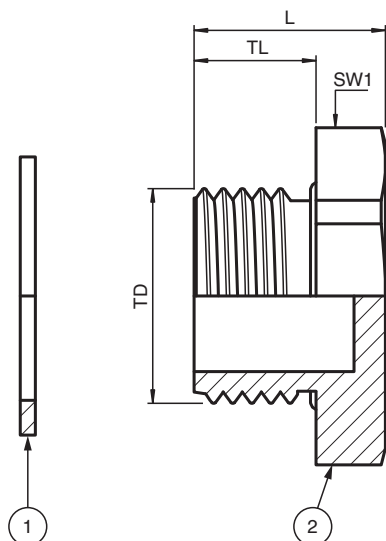
## Stopping Plugs, Plastic

### SP.PE.M40.PA.C.18.K10

- Stopping plug for unused cable entries
- High impact-resistant polyamide material
- Thread M40
- Hexagon head
- Ex eb and Ex tb certified
- Suitable for operation in Zone 1, Zone 2, Zone 21 and Zone 22
- Full impact resistance of 7 J according to IEC/EN 60079-0 for the full range without limitations
- Packaging unit: 10 pieces, without accessories



## Dimensions



Details see data table

Legend	
1	Flat gasket
2	Stopping plug
L	Total length
SW*	Width across flats
TD	Thread size
TL	Thread length

Release date: 2022-03-07 Date of issue: 2022-03-07 Filename: 291463\_eng.pdf

Refer to "General Notes Relating to Pepperl+Fuchs Product Information".

Pepperl+Fuchs Group  
www.pepperl-fuchs.com

USA: +1 330 486 0002  
pa-info@us.pepperl-fuchs.com

Germany: +49 621 776 2222  
pa-info@de.pepperl-fuchs.com

Singapore: +65 6779 9091  
pa-info@sg.pepperl-fuchs.com

 PEPPERL+FUCHS

## Technical Data

<b>Mechanical specifications</b>	
Thread type	metric ISO pitch 1.5 mm
Thread size (TD)	M40
Degree of protection	IP66 / IP68
Material	
Finish	inherent color black
Washer gasket	flat chloroprene gasket
Stopping plug	high impact-resistant polyamide
Mass	
Individual component	approx. 22 g
Packing unit	approx. 220 g
Dimensions	
Diameter thru-hole (DT)	40 ... 40.3 mm
Width across flats (SW1)	46 mm
Thread length (TL)	18 mm
Total length (L)	26.5 mm
Tightening torque	
Nut torque at enclosure (SW1)	6 Nm
<b>Ambient conditions</b>	
Ambient temperature	-40 ... 70 °C (-40 ... 158 °F)
<b>Data for application in connection with hazardous areas</b>	
EU-type examination certificate	IMQ 15 ATEX 006 X
Marking	⊕ II 2 GD Ex eb IIC Gb Ex tb IIIC Db
<b>International approvals</b>	
IECEX approval	IECEX IMQ 15.0001X
INMETRO approval	DNV 20.0032 X
EAC approval	RU C-DE.AA87.B.00459/20
<b>Conformity</b>	
Degree of protection	EN 60529
<b>General information</b>	
Delivery quantity	10
Scope of delivery	Stopping Plugs, Plastic brief instructions (1 copy)
Supplementary information	EC-Type Examination Certificate, Statement of Conformity, Declaration of Conformity, Attestation of Conformity and instructions have to be observed where applicable. For information see <a href="http://www.pepperl-fuchs.com">www.pepperl-fuchs.com</a> .

Release date: 2022-03-07 Date of issue: 2022-03-07 Filename: 291463\_eng.pdf