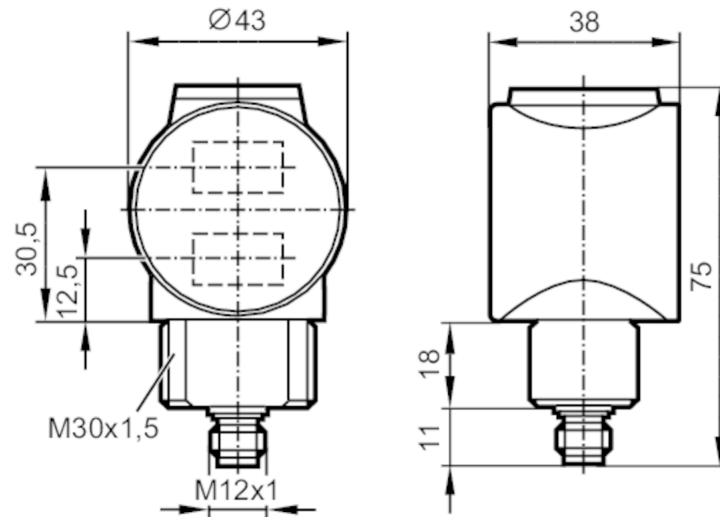




Diffuse reflection sensors with background suppression

OIH-HNKG/US/600MM

Article no longer available - archive entry



1 potentiometer



Product characteristics

Type of light red light

Application

System Background suppression

Function principle Diffuse reflection sensor

Electrical data

Operating voltage [V] 10...30 DC; (cULus - Class 2 source required)

Current consumption [mA] 35

Protection class III

Reverse polarity protection yes

Type of light red light

Wave length [Nm] 625

Outputs

Electrical design NPN

Output function light-on mode

Max. voltage drop switching output DC [V] 2.5

Permanent current rating of switching output DC [mA] 200

Switching frequency DC [Hz] 300

Short-circuit protection yes

Type of short-circuit protection yes (non-latching)

Overload protection yes



Diffuse reflection sensors with background suppression

OIH-HNKG/US/600MM

Monitoring range		
Range	[mm]	< 600; (white paper 200 x 200 mm 90 % remission)
Range on white object (90 % remission)	[mm]	< 600
Range on grey object (18 % remission)	[mm]	< 596
Range on black object (6 % remission)	[mm]	< 578
Range adjustable		no
Max. light spot diameter	[mm]	30
Light spot dimensions refer to		at maximum range
Background suppression available		yes

Operating conditions		
Ambient temperature	[°C]	-25...60
Protection		IP 67

Tests / approvals		
EMC		EN 60947-5-2

Mechanical data		
Weight	[g]	200.4
Dimensions	[mm]	M30 x 1.5
Thread designation		M30 x 1.5
Material		diecast zinc nickel-plated
Lens material		PMMA

Displays / operating elements		
Display	Switching status	1 x LED, yellow
	Power	1 x LED, green

Accessories		
Items supplied		lock nut: 1 x

Remarks		
Pack quantity		1 pcs.

Electrical connection

Connector: 1 x M12



OIH282



Diffuse reflection sensors with background suppression

OIH-HNKG/US/600MM

Connection

