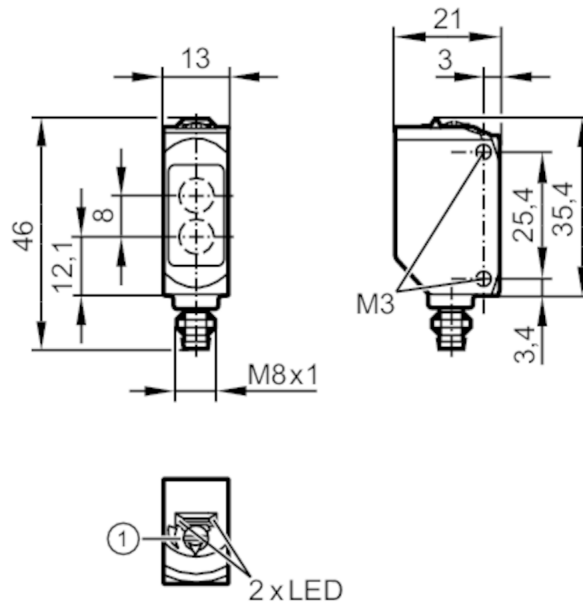


# O6H210



## Diffuse reflection sensors with background suppression

O6H-CPKG/AS/4P



- 1 potentiometer sensitivity  
Receiver in upper lens  
transmitter in lower lens



### Product characteristics

Type of light	red light
Housing	rectangular

### Application

System	Background suppression
Function principle	Diffuse reflection sensor

### Electrical data

Operating voltage	[V]	10...30 DC
Current consumption	[mA]	22; ((24 V))
Protection class		III
Reverse polarity protection		yes
Type of light		red light
Wave length	[nm]	633



## Diffuse reflection sensors with background suppression

O6H-CPKG/AS/4P

Outputs		
Electrical design		PNP
Output function		complementary
Max. voltage drop switching output DC	[V]	2.5
Permanent current rating of switching output DC	[mA]	100
Switching frequency DC	[Hz]	1000
Short-circuit protection		yes
Type of short-circuit protection		yes (non-latching)
Monitoring range		
Range	[mm]	2...200; (white paper 200 x 200 mm)
Range on white object (90 % remission)	[mm]	2...200
Range on grey object (18 % remission)	[mm]	4...200
Range on black object (6 % remission)	[mm]	8...200
Range adjustable		yes
Max. light spot diameter	[mm]	8
Light spot dimensions refer to		at maximum range
Background suppression available		yes
Operating conditions		
Ambient temperature	[°C]	-25...60
Protection		IP 65; IP 67
Tests / approvals		
EMC		EN 60947-5-2
MTTF	[years]	850
UL approval		UL approval number E009
Mechanical data		
Weight	[g]	15.7
Housing		rectangular
Dimensions	[mm]	46 x 13 x 21
Material		housing: ABS; PPSU
Lens material		PMMA
Lens alignment		Side sensing
Sealing material		EPDM
Tightening torque	[Nm]	0.5
Displays / operating elements		
Display	Switching status	1 x LED, yellow
	Power	1 x LED, green
Remarks		
Remarks		cULus - Class 2 source required
Pack quantity		1 pcs.

# O6H210



## Diffuse reflection sensors with background suppression

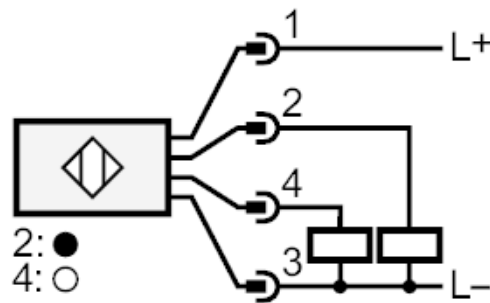
O6H-CPKG/AS/4P

### Electrical connection

Connector: 1 x M8; coding: A; Locking: brass, coated; sealing: EPDM



### Connection



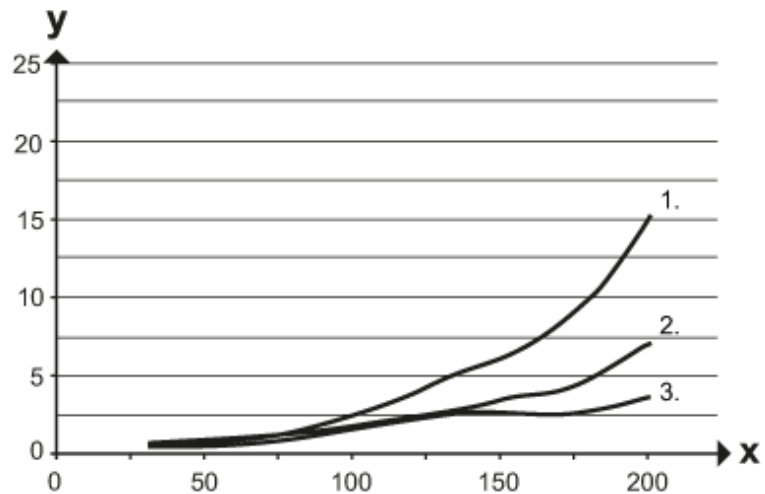


Diffuse reflection sensors with background suppression

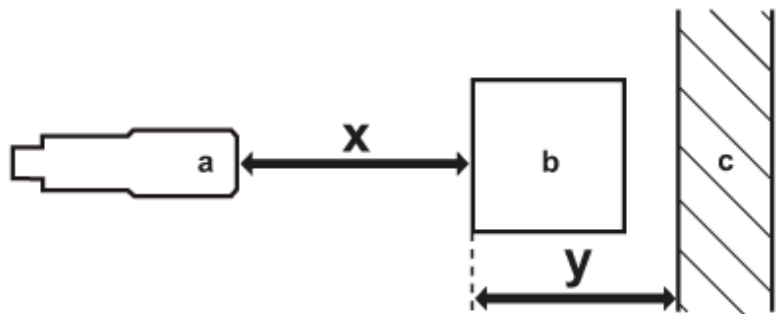
O6H-CPKG/AS/4P

Diagrams and graphs

Background suppression chart



- x: distance sensor/object [mm]
- y: min. distance object/background [mm]
- 1 = object black (6 % remission) , background (white 90 % remission)
- 2 = object grey (18 % remission) , background (white 90 % remission)
- 3 = object white (90 % remission) , background (white 90 % remission)



- a: sensor
- b: object
- c: background
- x: distance sensor/object [mm]
- y: min. distance object/background [mm]