

Simple to use.

Detection abilities close to human vision.


- One-touch automatic setting for stable detection
- 2.2-inch monitor integrated in compact housing
- Sensor Heads with field of view up to 150 mm



Ordering Information


Models

Sensor Heads

Appearance	Type	Setting distance	Sensing area	Degree of protection	Model
	Narrow View	34 to 49 mm (variable)	5 × 4.6 mm to 9 × 8.3 mm (variable)	IP65	ZFV-SC10
				IP65	ZFV-SC10R *
	Standard	31 to 187 mm (variable)	10 × 9.2 mm to 50 × 46 mm (variable)	IP65	ZFV-SC50
				IP65	ZFV-SC50R *
				IP67	ZFV-SC50W
	Wide View	66 to 141 mm (variable)	50 × 46 mm (H × V) to 90 × 83 mm (H × V)	IP65	ZFV-SC90
				IP65	ZFV-SC90R *
				IP67	ZFV-SC90W
	Ultra-wide View	114 to 226 mm (variable)	90 × 83 mm (H × V) to 150 × 138 mm (H × V)	IP65	ZFV-SC150
				IP65	ZFV-SC150R *
				IP67	ZFV-SC150W


* Robot Cable type.

Amplifier Units


Appearance	Type	Power supply	Output type	Model
	Single-function Amplifier Unit	24 VDC	NPN	ZFV-CA40
			PNP	ZFV-CA45
	Multifunction Amplifier Unit		NPN	ZFV-CA50
			PNP	ZFV-CA55

Accessories

Data Storage Units

Appearance	Power supply	Output type	Model
	24 VDC	NPN	ZS-DSU11
		PNP	ZS-DSU41

Controller Link Unit

Appearance	Model
	ZS-XCN


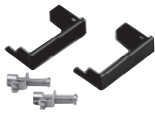
Sensor Head Extension Cable

Cable length	Model
3 m	ZFV-XC3BV2
3 m	ZFV-XC3BRV2 (Robot cable type)
8 m	ZFV-XC8BV2 *





Note: A maximum of two Extension Cables can be connected to extend the cable length of each Sensor Head. There are no restrictions on the combinations of the two Extension Cables to be used.

* The ZFV-XC8BV2 Extension Cable can be used only with ZFV-SC10/SC50/SC50W Sensor Heads.

Panel-mounting Adapter

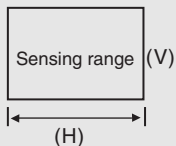
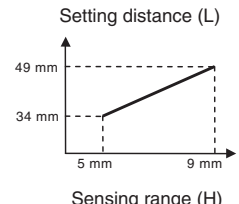
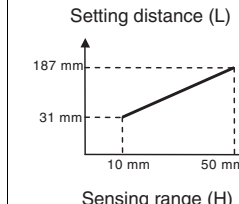
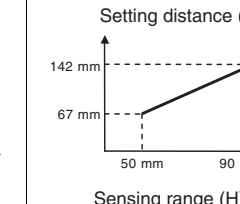
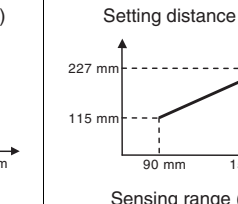
Appearance	Model	
	ZS-XPM1	First Unit
	ZS-XPM2	Additional Units (for expansion)

External Lighting

Appearance	Type	Model
	Bar Lighting	ZFV-LTL01
	Bar Double Lighting	ZFV-LTL02
	Bar Low-angle Lighting	ZFV-LTL04
	Light Source for Through-beam Lighting	ZFV-LTF01

Specifications

Sensor Heads

Item	ZFV-SC10	ZFV-SC10R	ZFV-SC50/ SC50W	ZFV-SC50R	ZFV-SC90/ SC90W	ZFV-SC90R	ZFV-SC150/ SC150W	ZFV-SC150R
Type	Narrow View Type		Standard Type		Wide View Type		Ultra-wide View Type	
Setting distance (L)	34 to 49 mm (variable)		31 to 187 mm (variable)		67 to 142 mm (variable)		115 to 227 mm (variable)	
Sensing range (H × V)	5 × 4.6 mm to 9 × 8.3 mm (variable)		10 × 9.2 mm to 50 × 46 mm (variable)		50 × 46 mm to 90 × 83 mm (variable)		90 × 83 mm to 150 × 138 mm (variable)	
								
Relation between setting distance and sensing range								
Built-in lens	Focus: f15.65		Focus: f13.47		Focus: f6.1		---	
Object lighting method	Pulse lighting							
Object light source	Eight white LEDs		Thirty-six white LEDs		Twenty white LEDs		Seventy-two white LEDs	
Optional lighting interface	No		Yes				No	
Sensing element	1/3-inch CCD							
Shutter	Electronic shutter, shutter time: 1/500 to 1/8,000							
Power supply voltage	15 VDC (Supplied from Amplifier Unit.)		15 VDC, 48 VDC (Supplied from Amplifier Unit.)					
Current consumption	Approx. 200 mA		Approx. 350 mA (15 V: approx. 150 mA, 48 V: approx. 200 mA, including current when external light is connected)					
Dielectric strength	1,000 VAC, 50/60 Hz for 1 min							
Vibration resistance (destruction)	10 to 150 Hz, 0.35-mm single amplitude, 10 times each in X, Y, and Z directions for 8 min							
Shock resistance (destruction)	150 m/s ² , three times each in six directions (up/down, left/right, forward/backward)							
Ambient temperature range	Operating: 0 to 40°C, Storage: -20 to +65°C (with no icing or condensation)							
Ambient humidity range	Operating and storage: 35% to 85% (with no condensation)							
Ambient atmosphere	Must be free of corrosive gas.							
Connection method	Prewired, Standard cable length: 2 m							
Cable length	Standard Cable: 2m	Robot Cable: 2m	Standard Cable: 2m	Robot Cable: 2m	Standard Cable: 2m	Robot Cable: 2m	Standard Cable: 2m	Robot Cable: 2m
Degree of protection (IEC 60529 standard)	IP65		ZFV-SC□□□□: IP65 ZFV-SC□□□□W: IP67 ZFV-SC□□□□R: IP65					
Materials	Case	ABS						
	Mounting brack	ZFV-SC□□□□/SC□□□□W/SC150R: PBT ZFV-SC10R/SC50R/SC90R base: aluminum, bracket: stainless steel						
Weight (including mounting bracket and cord)	Approx. 200 g	Approx. 270 g	Approx. 270 g	Approx. 400 g	Approx. 300 g	Approx. 400 g	Approx. 600 g	
Accessories	Mounting brack	ZFV-XMF (1)	ZFV-XMF3 (1)	ZFV-XMF2 (1)	ZFV-XMF4 (1)	ZFV-XMF2 (1)	ZFV-XMF4 (1)	---
	Ferrite core	2						
	Instruction sheet	1						
LED class	Risk Group 1 (IEC62471)							

Amplifier Units

Item	ZFV-CA40	ZFV-CA45	ZFV-CA50	ZFV-CA55
Output method	NPN open collector, 30 VDC 50 mA max., residual voltage 1.2 V max.	PNP open collector, 50 mA max., residual voltage 1.2 V max.	NPN open collector, 30 VDC 50 mA max., residual voltage 1.2 V max.	PNP open collector, 50 mA max., residual voltage 1.2 V max.
Serial I/O	USB2.0	1 port, full-speed (12 Mbps) MINI-B		
	RS-232C	1 port, 115200 bps max.		
Number of inspection items that can be executed simultaneously	1 item		8 items max.	
Inspection items	Patterns (PATTERN), Brightness (BRIGHT), Area (AREA), Width (WIDTH), Position (POSITION), Count (COUNT), Color inspection (HUE), Character (CHARA)			
Teaching area	Rectangular, one area			
Teaching area size	<ul style="list-style-type: none"> Patterns (PATTERN), Brightness (BRIGHT): Any rectangular area (256 × 256 max.) Area (AREA), Width (WIDTH), Position (POSITION), Count (COUNT), Color inspection (HUE), Character (CHARA): Any rectangular area (full screen max.) 			
Sensing area	Full screen			
Resolution	468 × 432 (H × V) max.			
Number of models that can be registered	Amplifier Unit	8 models		1 model *2
	External bank *1	128 models		16 models *2
Image logging *1	Logging trigger	Stores NG images or all images (selectable).		
	Sampling rate	ZFV measurement cycle *2		
	Number of logged images	Logs up to 128 images in series		
Image input cycle	13 ms (Standard), 8 ms (FAST mode), 5 ms (MAX mode)			
Other functions	Control output switching: ON for OK or ON for NG, ON delay/OFF delay, One-shot output, "ECO" mode			
Gang-mounting Amplifier Units	5 units max.		Not connectable	
Output signals	(1) Control output (OUTPUT) (2) Enable output (ENABLE) (3) Error output (ERROR)			
Input signals	(1) Sync measurement input (TRIG)/Continuous measurement input (TRIG); switched from menu (2) Bank selection input (BANK1-3) (3) Object stationary teaching (TEACH)/Object motion teaching (TEACH); switched from menu			
Sensor Head interface	Digital interface			
Image display	TFT 2.2-inch LCD (Display dots: 930 × 234)			
Indicators	<ul style="list-style-type: none"> Judgment result indicator (OUTPUT, Color: orange) · Inspection mode indicator (RUN, Color: green) Error indicator (ERR, Color: red) · Ready status indicator (READY, Color: blue) 			
Operation interface	<ul style="list-style-type: none"> Cursor keys (up, down, left, right) · Setting key (SET) · Escape key (ESC) Operating mode switching (slide switch) · Menu switching (slide switch) Teaching/Display switching key (TEACH/VIEW) · Function keys (A to D, 4 inputs) 			
Power supply voltage	20.4 to 26.4 VDC (including ripple)			
Current consumption	800mA max. (with Sensor Head ZFV-SC10/SC50/SC90 connected, power supply voltage 24VDC) 930mA max. (with Sensor Head ZFV-SC150/Option Lighting Unit ZFV-LTL01/LTL02 connected, power supply voltage 24VDC) 1050mA max. (Option Lighting Unit ZFV-LTL04/LTF01 connected, power supply voltage 24VDC)			
Dielectric strength	1,000 VAC, 50/60 Hz for 1 min between leads and Amplifier Unit case			
Noise immunity	1 kV, Pulse rise: 5 ns, Pulse width: 50 ns, Burst duration: 15 ms, Cycle: 300 ms			
Vibration resistance (destruction)	10 to 150 Hz, 0.1-mm single amplitude, 10 times each in X, Y, and Z directions for 8 min			
Shock resistance (destruction)	150 m/s ² , three times each in six directions (up/down, left/right, forward/backward)			
Ambient temperature range	Operating: 0 to 50°C, Storage: -25 to +65°C (with no icing or condensation)			
Ambient humidity range	Operating and storage: 35% to 85% (with no condensation)			
Ambient atmosphere	Must be free of corrosive gas.			
Degree of protection	IEC 60529, IP20			
Materials	Polycarbonate			
Weight	Approx. 300 g (including cord; packaged condition: 450 g)			
Accessories	Ferrite core (1), Instruction sheet			

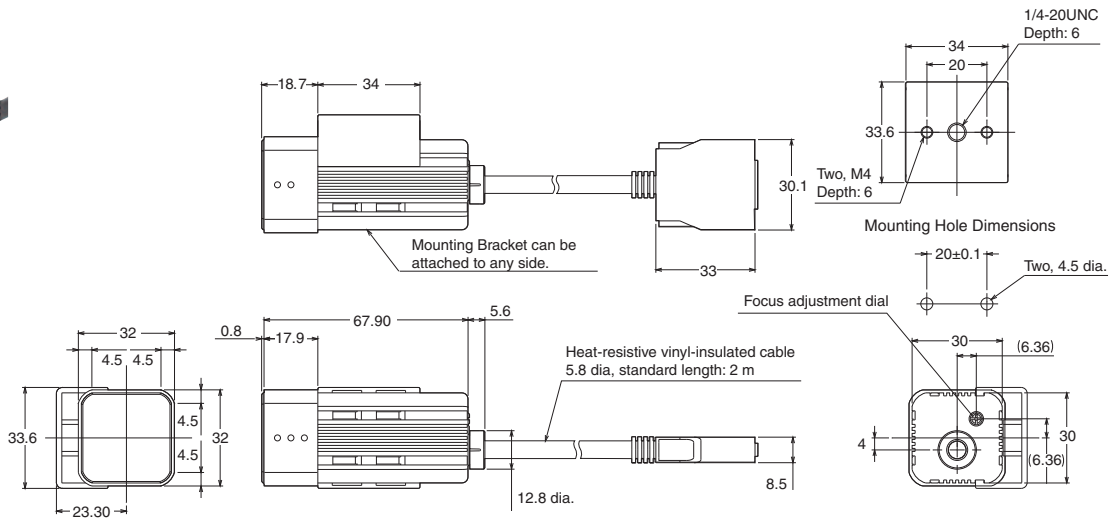
*1 A ZS-DSU Data Storage Unit is required. There are restrictions in the versions of Units that can be connected. Ask your OMRON representative for details.

*2 If there is only one inspection item, the measurement mode can be switched to Single Bank Mode to increase the number of models that can be registered to eight for the Amplifier Unit and 128 for the external bank.

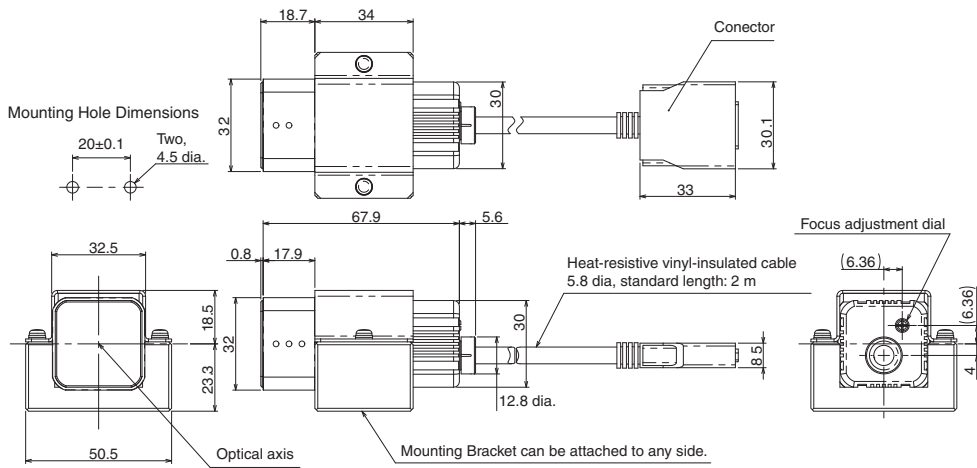
Dimensions

Sensor Heads

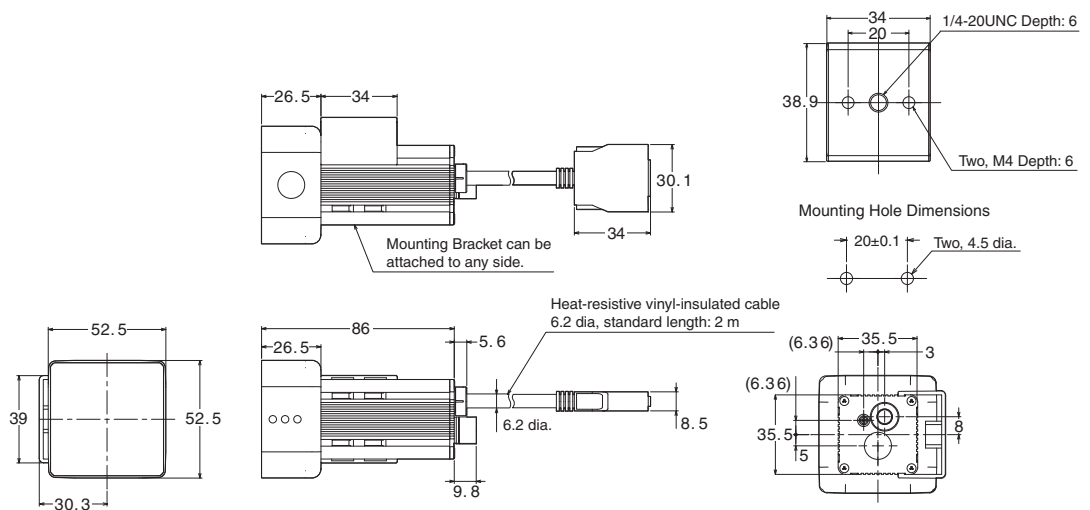
ZFV-SC10



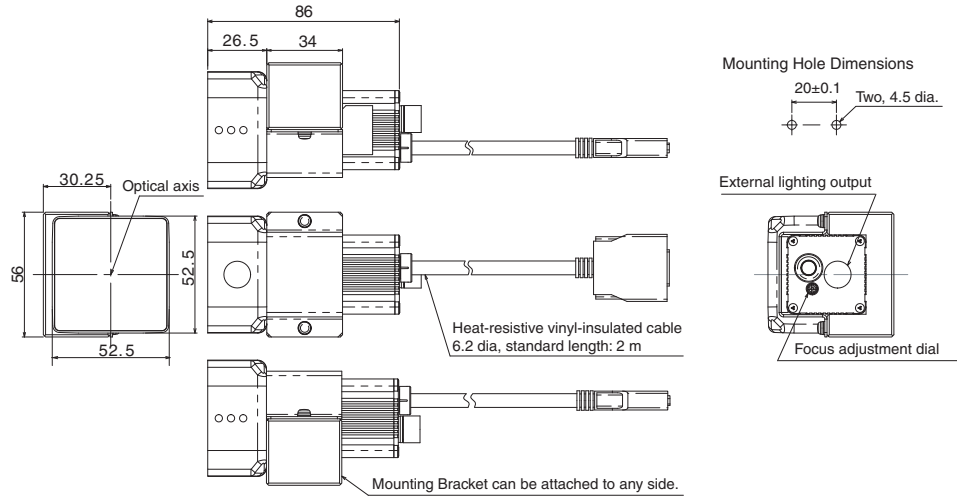
ZFV-SC10R



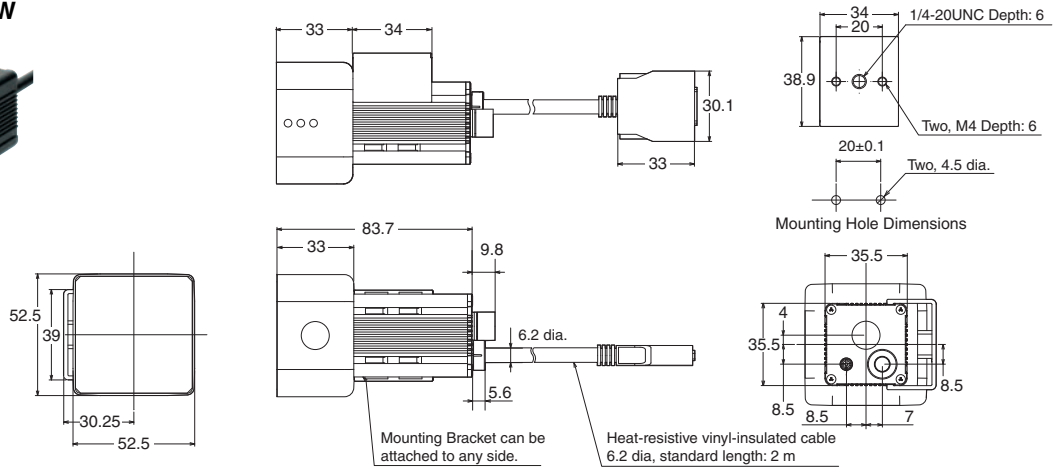
ZFV-SC50/SC50W



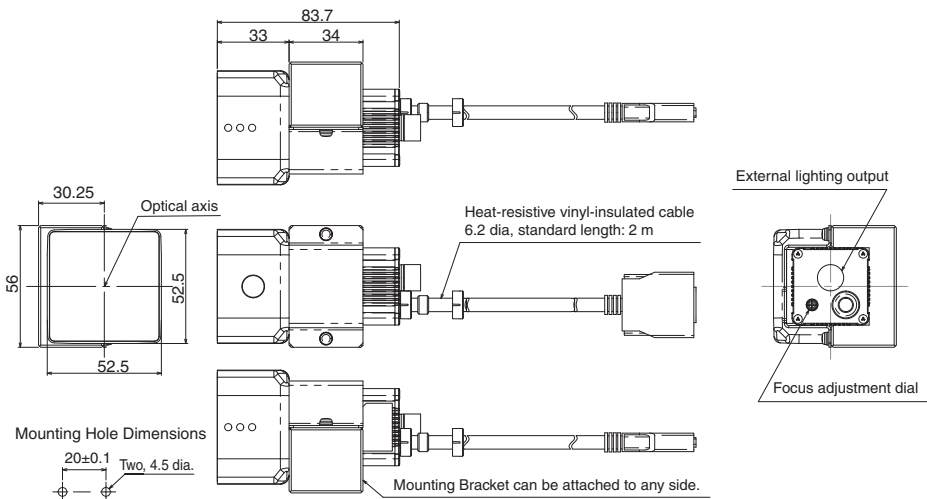
ZFV-SC50R



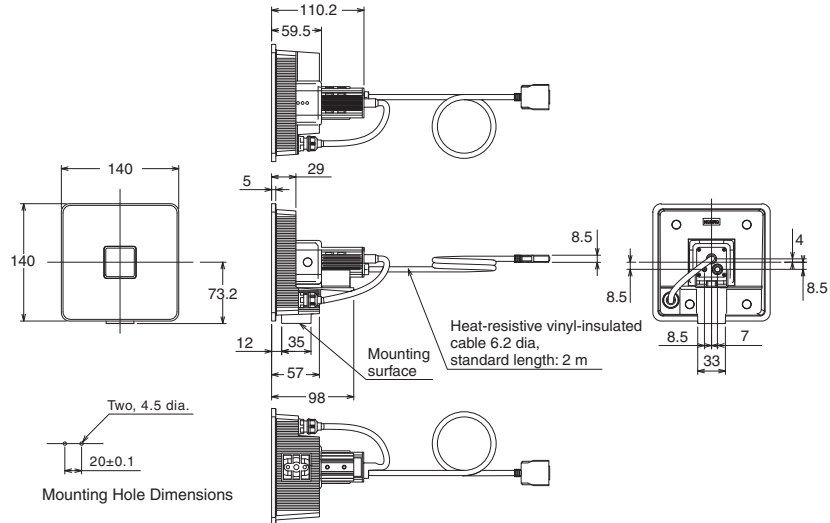
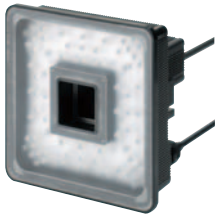
ZFV-SC90/SC90W



ZFV-SC90R

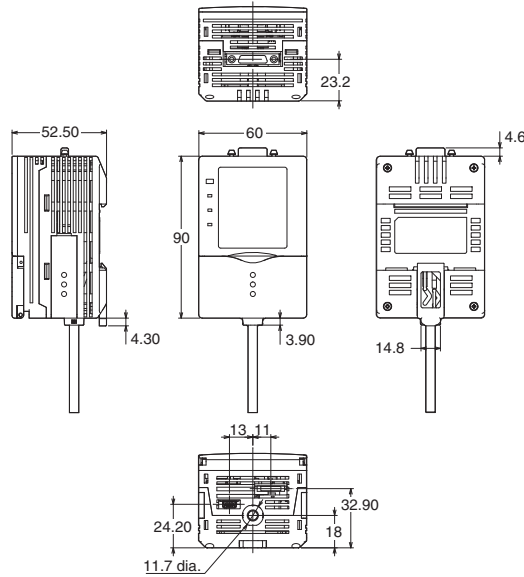


ZFV-SC150/SC150W/SC150R



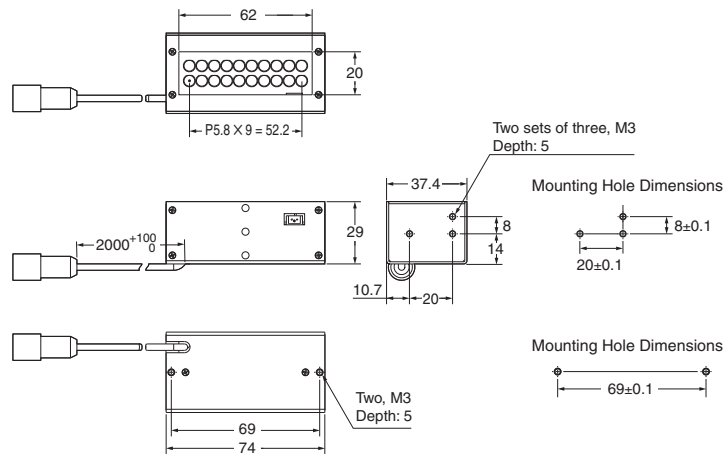
Amplifier Units

ZFV-CA□□



Optional Lighting

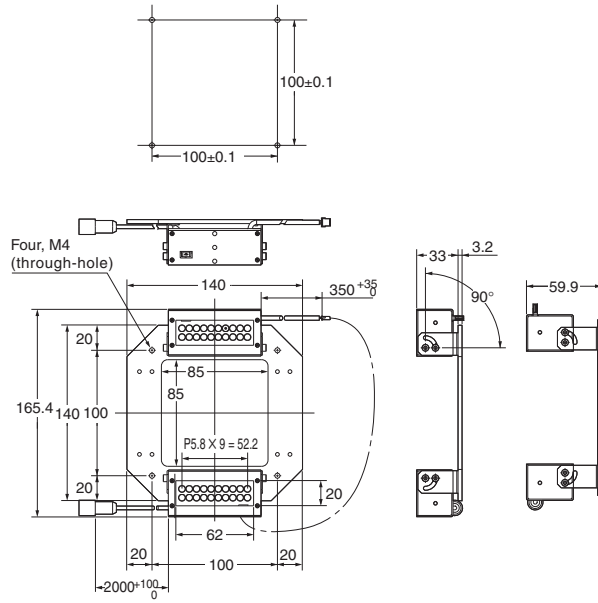
ZFV-LTL01



ZFV-LTL02



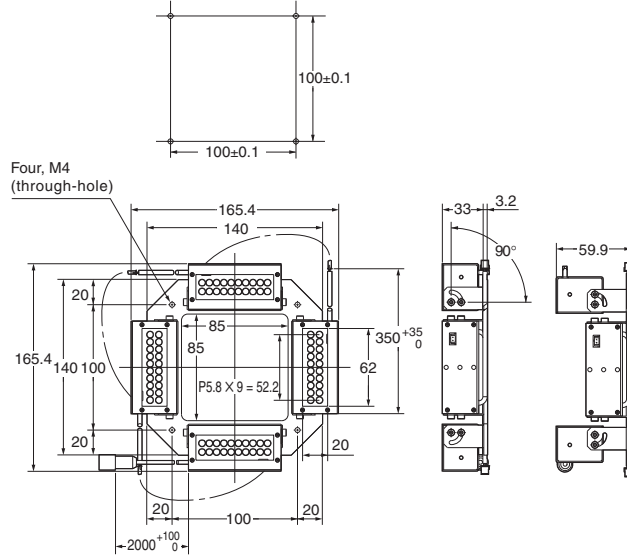
Mounting Hole Dimensions



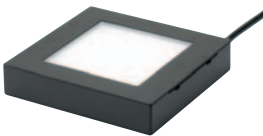
ZFV-LTL04



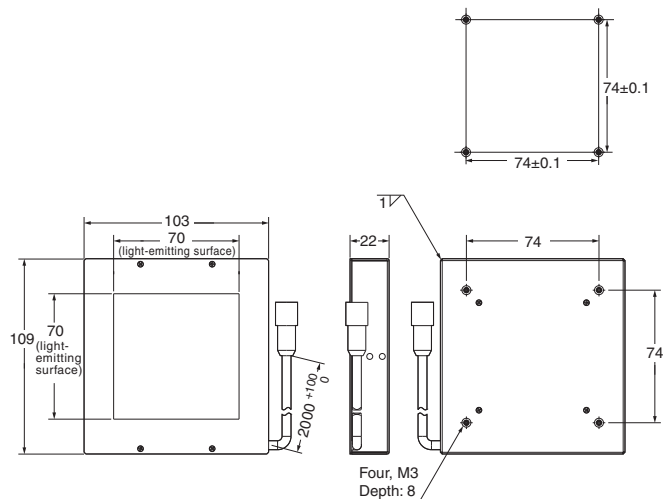
Mounting Hole Dimensions



ZFV-LTF01



Mounting Hole Dimensions



Terms and Conditions Agreement

Read and understand this catalog.

Please read and understand this catalog before purchasing the products. Please consult your OMRON representative if you have any questions or comments.

Warranties.

(a) Exclusive Warranty. Omron's exclusive warranty is that the Products will be free from defects in materials and workmanship for a period of twelve months from the date of sale by Omron (or such other period expressed in writing by Omron). Omron disclaims all other warranties, express or implied.

(b) Limitations. OMRON MAKES NO WARRANTY OR REPRESENTATION, EXPRESS OR IMPLIED, ABOUT NON-INFRINGEMENT, MERCHANTABILITY OR FITNESS FOR A PARTICULAR PURPOSE OF THE PRODUCTS. BUYER ACKNOWLEDGES THAT IT ALONE HAS DETERMINED THAT THE PRODUCTS WILL SUITABLY MEET THE REQUIREMENTS OF THEIR INTENDED USE.

Omron further disclaims all warranties and responsibility of any type for claims or expenses based on infringement by the Products or otherwise of any intellectual property right. (c) Buyer Remedy. Omron's sole obligation hereunder shall be, at Omron's election, to (i) replace (in the form originally shipped with Buyer responsible for labor charges for removal or replacement thereof) the non-complying Product, (ii) repair the non-complying Product, or (iii) repay or credit Buyer an amount equal to the purchase price of the non-complying Product; provided that in no event shall Omron be responsible for warranty, repair, indemnity or any other claims or expenses regarding the Products unless Omron's analysis confirms that the Products were properly handled, stored, installed and maintained and not subject to contamination, abuse, misuse or inappropriate modification. Return of any Products by Buyer must be approved in writing by Omron before shipment. Omron Companies shall not be liable for the suitability or unsuitability or the results from the use of Products in combination with any electrical or electronic components, circuits, system assemblies or any other materials or substances or environments. Any advice, recommendations or information given orally or in writing, are not to be construed as an amendment or addition to the above warranty.

See <http://www.omron.com/global/> or contact your Omron representative for published information.

Limitation on Liability; Etc.

OMRON COMPANIES SHALL NOT BE LIABLE FOR SPECIAL, INDIRECT, INCIDENTAL, OR CONSEQUENTIAL DAMAGES, LOSS OF PROFITS OR PRODUCTION OR COMMERCIAL LOSS IN ANY WAY CONNECTED WITH THE PRODUCTS, WHETHER SUCH CLAIM IS BASED IN CONTRACT, WARRANTY, NEGLIGENCE OR STRICT LIABILITY.

Further, in no event shall liability of Omron Companies exceed the individual price of the Product on which liability is asserted.

Suitability of Use.

Omron Companies shall not be responsible for conformity with any standards, codes or regulations which apply to the combination of the Product in the Buyer's application or use of the Product. At Buyer's request, Omron will provide applicable third party certification documents identifying ratings and limitations of use which apply to the Product. This information by itself is not sufficient for a complete determination of the suitability of the Product in combination with the end product, machine, system, or other application or use. Buyer shall be solely responsible for determining appropriateness of the particular Product with respect to Buyer's application, product or system. Buyer shall take application responsibility in all cases.

NEVER USE THE PRODUCT FOR AN APPLICATION INVOLVING SERIOUS RISK TO LIFE OR PROPERTY OR IN LARGE QUANTITIES WITHOUT ENSURING THAT THE SYSTEM AS A WHOLE HAS BEEN DESIGNED TO ADDRESS THE RISKS, AND THAT THE OMRON PRODUCT(S) IS PROPERLY RATED AND INSTALLED FOR THE INTENDED USE WITHIN THE OVERALL EQUIPMENT OR SYSTEM.

Programmable Products.

Omron Companies shall not be responsible for the user's programming of a programmable Product, or any consequence thereof.

Performance Data.

Data presented in Omron Company websites, catalogs and other materials is provided as a guide for the user in determining suitability and does not constitute a warranty. It may represent the result of Omron's test conditions, and the user must correlate it to actual application requirements. Actual performance is subject to the Omron's Warranty and Limitations of Liability.

Change in Specifications.

Product specifications and accessories may be changed at any time based on improvements and other reasons. It is our practice to change part numbers when published ratings or features are changed, or when significant construction changes are made. However, some specifications of the Product may be changed without any notice. When in doubt, special part numbers may be assigned to fix or establish key specifications for your application. Please consult with your Omron's representative at any time to confirm actual specifications of purchased Product.

Errors and Omissions.

Information presented by Omron Companies has been checked and is believed to be accurate; however, no responsibility is assumed for clerical, typographical or proofreading errors or omissions.

2016.1

In the interest of product improvement, specifications are subject to change without notice.

OMRON Corporation
Industrial Automation Company

<http://www.ia.omron.com/>

(c)Copyright OMRON Corporation 2016 All Right Reserved.

Mouser Electronics

Authorized Distributor

Click to View Pricing, Inventory, Delivery & Lifecycle Information:

[Omron:](#)

[ZS-XCN](#)