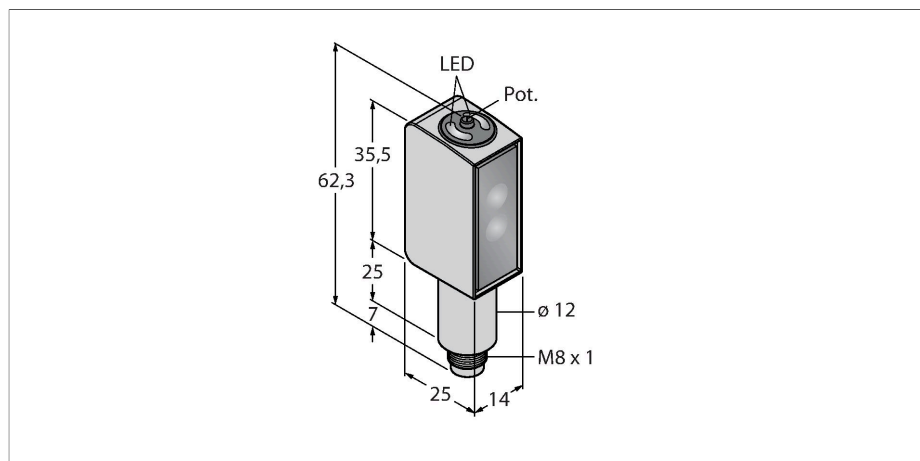


QM26VPAF400Q7

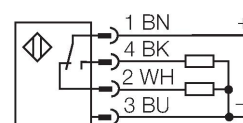
Photoelectric Sensor – Diffuse Mode Sensor with Adjustable Background Suppression



Features

- Range: 5 mm - 800 mm
- Range: 5 mm - 800 mm
- Range: 5 mm - 800 mm

Wiring diagram



Technical data

Type	QM26VPAF400Q7
ID	3028787
Optical data	
Function	Proximity switch
Operating mode	Background suppression, adjustable
Light type	Red
Wavelength	620 nm
Range	5...400 mm
Electrical data	
Operating voltage	10...30 VDC
Residual ripple	< 10 % U _{ss}
No-load current	≤ 20 mA
Short-circuit protection	yes
Reverse polarity protection	yes
Output function	Complementary contact, PNP
Current output	100 mA
Switching frequency	2 kHz
Readiness delay	≤ 300 ms
Response time typical	< 0.5 ms
Setting option	Screw Adjustment
Mechanical data	
Design	Rectangular, QMH26
Dimensions	20.3 x 14 x 32.6 mm
Housing material	Metal, Stainless steel, Grey
Lens	acrylic, PMMA
Electrical connection	Connector, M8 × 1, PVC

Technical data

Number of cores	4
Ambient temperature	-30...+70 °C
Protection class	IP69
Special features	Chemical-resistant Wash down Resistant to chemicals
Power-on indication	LED, Green
Switching state	LED, Yellow
Excess gain indication	LED
Tests/approvals	
Approvals	CE, cULus listed, ECOLAB

Accessories

SMBQMH26-SS-150	3042371	SMBLSTDLQ26	3018180
			Mounting bracket, stainless steel, rectangular, for Q26
SMBLSTQ26	3019506		
	Mounting bracket, stainless steel, for Q26		

Accessories

Dimension drawing	Type	ID	
	PKG4M-2/TXL	6626533	Connection cable, female M8, straight, 4-pin, stainless steel coupling nut, cable length: 2 m, jacket material: PUR, black; cULus approval; other cable lengths and qualities available, see www.turck.com

