



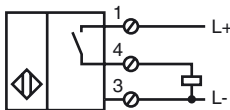
## Model Number

NJ15+U1+DW1-10

## Features

- Rotational speed controller
- 15 mm flush
- Start-up override time = approx. 30 s

## Connection



## Accessories

### MH 04-2681F

Mounting aid for VariKont, +U1+ and +U9\*

### V1-M20-80

Receptacles, M12/M20; plastic version

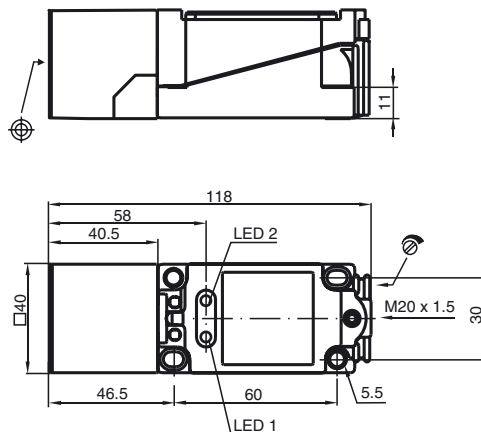
### V1-G

4-pin, M12 female field-attachable connector

### V1-W

4-pin, M12 female field-attachable connector

## Dimensions



## Technical Data

### General specifications

Switching element function	PNP NO
Frequency range	1 ... 10 Hz , adjustable
Rated operating distance	$s_n$ 15 mm
Installation	flush
Output polarity	DC
Assured operating distance	$s_a$ 0 ... 12.15 mm
Reduction factor $r_{Al}$	0.4
Reduction factor $r_{Cu}$	0.3
Reduction factor $r_{304}$	0.85

### Nominal ratings

Operating voltage	$U_B$ 15 ... 60 V DC
Reverse polarity protected	reverse polarity protected
Short-circuit protection	pulsing
Voltage drop	$U_d \leq 2$ V
Operating current	$I_L$ 0 ... 100 mA
No-load supply current	$I_0 \leq 25$ mA
Indication of the switching state	LED 1: yellow
Damping indicator	LED 2: yellow

### Functional safety related parameters

MTTF <sub>d</sub>	820 a
Mission Time ( $T_M$ )	20 a
Diagnostic Coverage (DC)	0 %

### Ambient conditions

Ambient temperature	-25 ... 70 °C (-13 ... 158 °F)
---------------------	--------------------------------

### Mechanical specifications

Connection type	screw terminals
Core cross-section	up to 2.5 mm <sup>2</sup>
Housing material	PBT
Sensing face	PBT
Protection degree	IP67

### Compliance with standards and directives

Standard conformity	
Standards	EN 60947-5-2:2007 IEC 60947-5-2:2007

### Approvals and certificates

UL approval	cULus Listed, General Purpose
CSA approval	cCSAus Listed, General Purpose
CCC approval	Certified by China Compulsory Certification (CCC)