

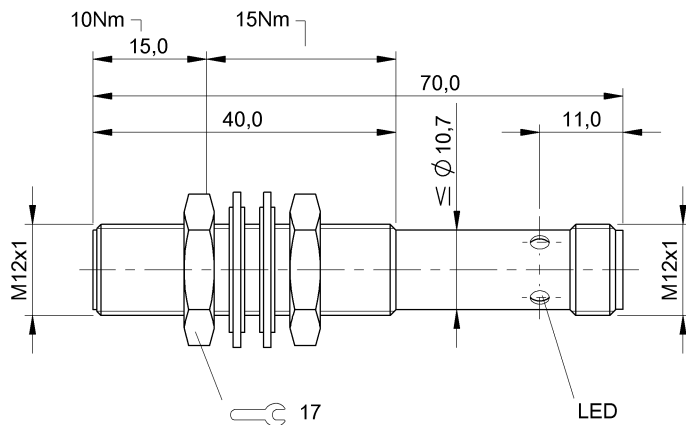
BES 516-325-G-S4-C
Ordering code: BES01C7

Inductive sensor
M12x70 mm

DC, direct current
PNP/Normally open (NO)
Sn = 4 mm
Flush (shielded)

BALLUFF

sensors worldwide



Characteristic data

Eff. switching distance S_r	4 mm
Tolerance S_r	$\pm 10\%$
Assured operating distance S_a	3.2 mm
Hysteresis H max. (in % of S_r)	15 %
Repeat accur. R max. (% of S_r)	5 %
Ambient temperature	-25...70 °C
Temp. drift max. (% of S_r)	10%
Switching freq. f max.	1000 Hz
Ready delay t_v max.	15 ms
Utilisation category	DC 13
Function indicator	Yes
Power-on indicator	No
Short-circuit protected	Yes
Degree of protection as per IEC 60529	IP68 according to BWN PR 20
Protection class	II
Protected against polarity reversal	Yes
Protected against reverse connection	Yes

Electrical data

Operating voltage	24 V
Rated operating voltage U_e DC	24 V
Ripple max. (% of U_e)	15 %
Voltage drop static max.	2.5 V
Rated insulation voltage U_i	250 AC V
Effective operating current I_e	200 mA
No-load current I_0 damped	10 mA

No-load current I_0 undamped	5 mA
Off-state current I_r max.	10 μ A
Minimum operating current I_m	0 mA
Rated short circuit current	100 A
Output resistance R_a	33.0k + D
Load capacitance max. (at U_e)	0.5 μ F
Principle of operation	Inductive

Mechanical data

Housing material	CuZn
Surface protection	Nickel-free coating
Sensing surface material	LCP
Tightening torque max.	10 Nm / 15 Nm
Connection type	Connector
Connector type	M12x1-S04
Shock rating	Shock, half-sinus, 30 gn, 11ms
Vibration rating	55 Hz, 1 mm ampl., 3x30 min
Degree of contamination	3

Basic data

Basic standard	IEC 60947-5-2
----------------	---------------

Remarks

The sensor is functional again after the overload has been eliminated.
 Embeddable: See installation notes for inductive sensors with extended switching distance 825357.
 With connector, e.g. BKS-S 20-... total length = switch length +18 mm.

BES 516-325-G-S4-C
Ordering code: BES01C7
Inductive sensor
M12x70 mm

DC, direct current
PNP/Normally open (NO)
Sn = 4 mm
Flush (shielded)

BALLUFF
sensors worldwide



Definitions see main catalog

subject to change

