

SST 01-10-030-012-20-H-1D1-0.5-J5**Industrial Light Curtain**

Industrial Light Curtains

Compatible Receivers:

SSR 01-4-030-012-20-H-1D1-0.5-J8

SSR 01-10-030-012-20-H-1D1-0.5-J8



Product Data	
Channel Spacing	20 mm
Function	Transmitter
Operation Mode	Thru Beam
Supply Voltage	12 - 30 V dc
Connection	0.5 m cable with 5 pin, M12 plug
Sensing Range	10 m
Length	300 mm
Active Height	225 mm
Housing	33 x 36 mm

Technical Data	
Supply Voltage	12 - 30 V dc
Reverse Polarity Protected	Yes
Current Consumption	100 mA
Number of Channels	12
Number of Cross Scanning Beams	34
Number of Parallel Beams	12
Distance, Beams Pinch Point	10 mm
Channel Spacing	20 mm
Test Input	Yes
Power On Indicator	Green LED
Light Source	Infrared (880 nm)
Profile Dimensions (w x d)	33 x 36 mm
Housing Material, Front Lens	Polycarbonate
Housing Material, Profile	Aluminium (black anodised)
Cable	5 x 0,2 mm ²
Cable Sleeve	PVC Ø 5,9 mm

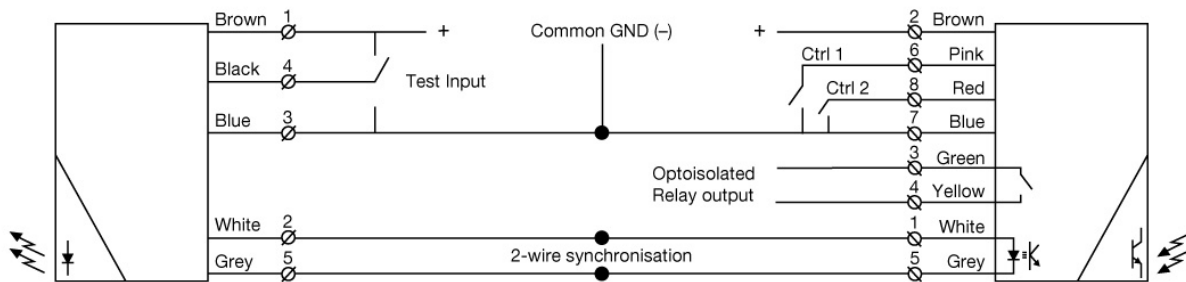
Environmental Data

Vibration	10 - 55 Hz, 0,5 mm
Shock	30 g
Operation Temperature	-30 to +60 °C
Storage Temperature	-40 to +80 °C
Sealing Class	IP 67

Approvals



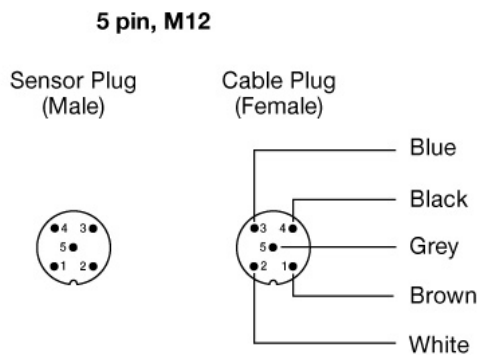
Wiring Diagram



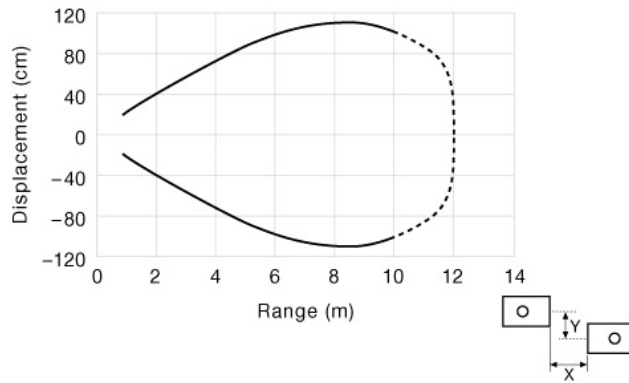
SST 01
Connect black test input wire to + or - to disable SST

SSR 01
Ctrl 1 Parallel or cross beams selection
Ctrl 2 Blanking function set-up

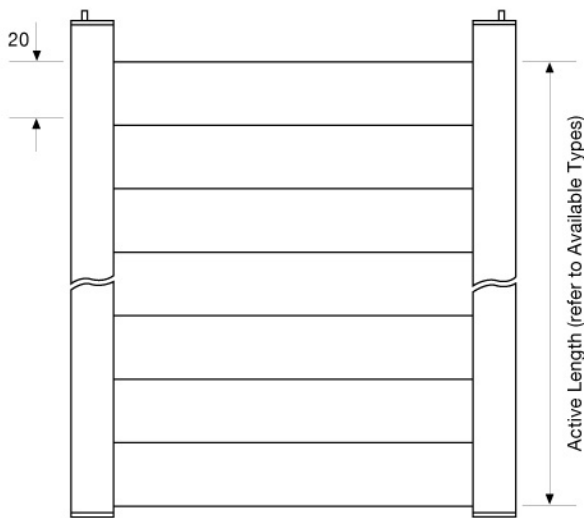
Connections



Parallel Displacement

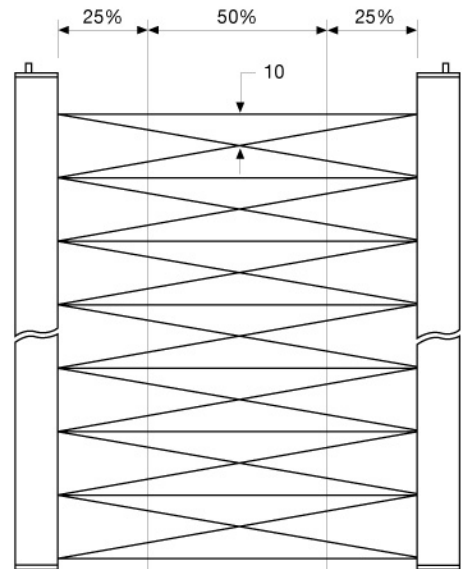


Beam Patterns



Parallel Beams

20 mm channel spacing



Cross Beams

Dimensions

