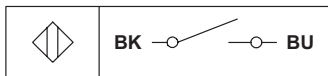


## Magnetic switch Series MAK-11

Description **MAK-1112-B-1**

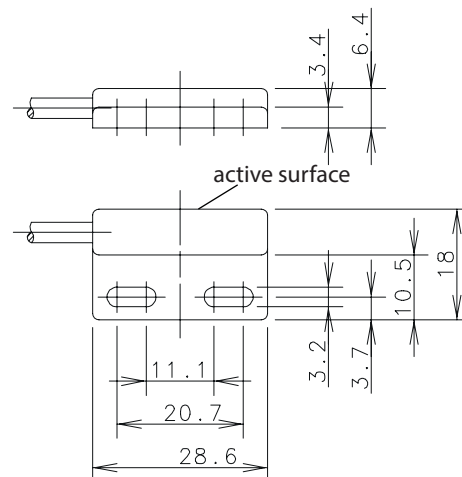
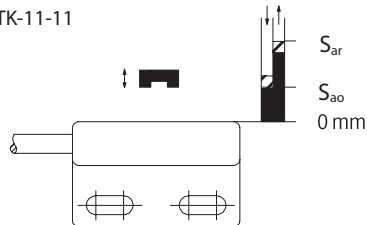
Article number **6311211541**

### Wiring diagramm



Actuation movement / sensing distance:

TK-11-11



### Technical data

Switching function	N.O.
Reference magnet	TK-11-11 (6302111047)
Assured operating distance - ON	$S_a \geq 10 \text{ mm}$
Assured operating distance - OFF	$S_{ar} \leq 22 \text{ mm}$
Repeat accuracy	R $\pm 0,1 \text{ mm}$ , under same geometrical conditions at the same temperature

### Electrical data

Max. voltage	250 V AC / DC
Max. switching current	0,5 A
Max. switching capacity	10 VA
Protection class acc. to EN 61140	II (totally insulated)
Note	Combinations of switching voltage and switching current must not exceed the maximum switching capacity.

### Mechanical data

Enclosure	PA 6.6, black; encapsulated reed contact
Temperature range	- 5 °C ... + 70 °C (cable not fixed mounted) - 25 °C ... + 70 °C (cable fixed mounted)
Mechanical life	3 x 10 <sup>8</sup> operating cycles
Shock Vibration	50 g (11 ms / ½ Sinewave)
Vibration	20 g (10 - 2000 Hz)
Protection type	IP 67 acc. to EN 60529
Termination type	Cable 2 x 0,14 mm <sup>2</sup> x 1 m $\pm 5 \%$ ; PVC-outer jacket black
Assembly position	optional (assembly on ferromagnetic material means reduction of switch distance)

ID for safety engineering		
B10d	<5V / 10mA	200 x 10 <sup>6</sup> switchings
B10d	20V / 500mA	100 x 10 <sup>6</sup> switchings

Standards	
	EN 60947-5-1
	EN 62246-1
	DIN EN ISO 13849-1

EU Conformity	
	acc. to directive 2014/35/EU (Low-Voltage-Directive)

Notes	
	Contact protection must be provided for inductive and capacitive loads.