

DO NOT SCALE

DIMENSIONS IN mm

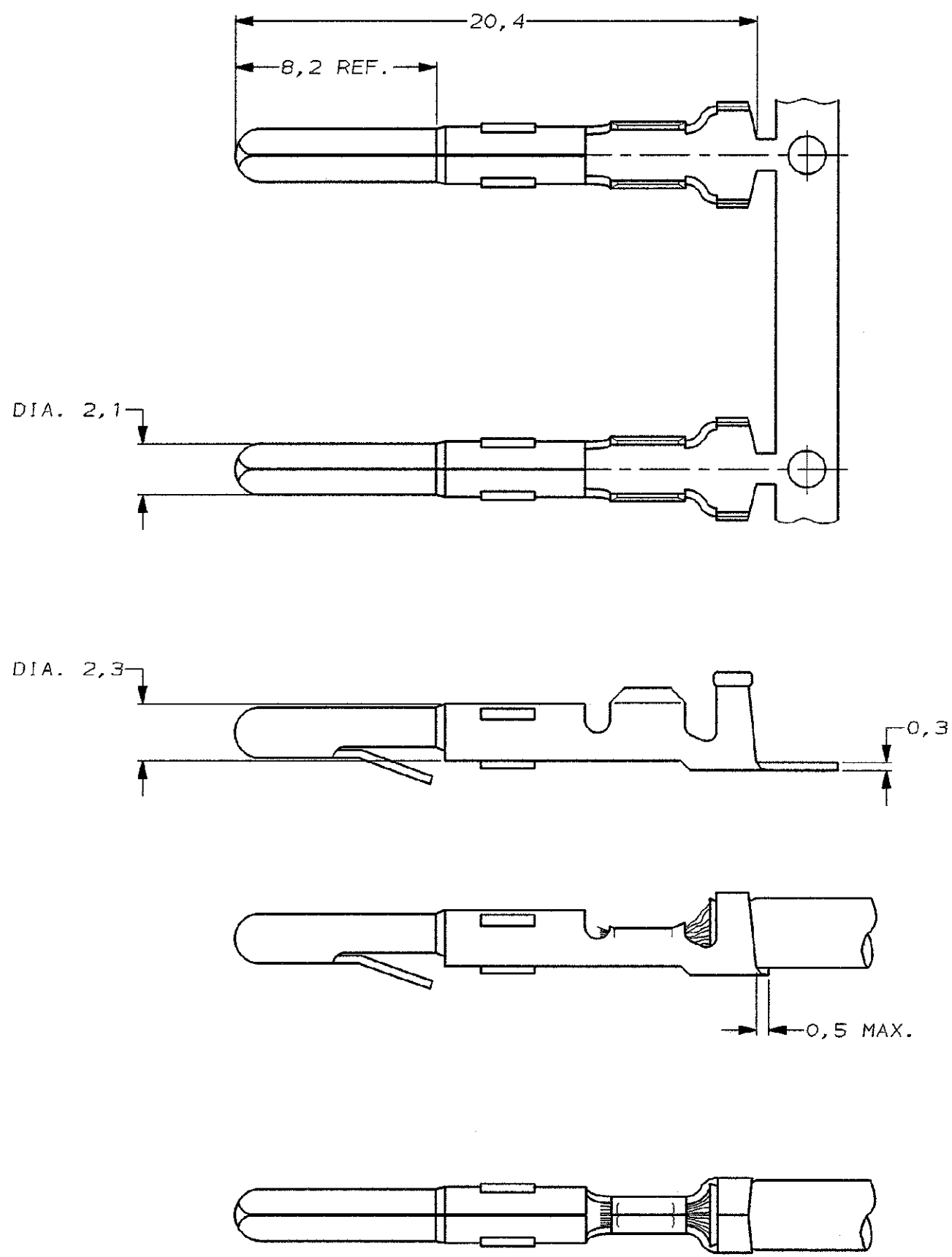
METRIC

THIRD ANGLE
PROJECTION



NOTES:

- 1 FOR USE ON STANDARD APPLICATORS (RIGHT- LEFT FEED).
- 2 FOR USE ON MINIATURE APPLICATORS (LEFT- RIGHT FEED)



WIRE RANGE :
0,3-0,75mm
INSULATION RANGE :
1,4-2,4 DIA.

NOTES	PLATING	MATERIAL	PARTNUMBER
2	PRE-TINPLATED	PHOSPHOR BR.	163555-8
2	UNPLATED	PHOSPHOR BR.	163555-7
2	PRE-TINPLATED	BRASS	163555-6
2	UNPLATED	BRASS	163555-5
1	PRE-TINPLATED	PHOSPHOR BR.	163555-4
1	UNPLATED	PHOSPHOR BR.	163555-3
1	PRE-TINPLATED	BRASS	163555-2
1	UNPLATED	BRASS	163555-1

CUSTOMER DRAWING			
FOR REFERENCE ONLY WILL NOT BE UPDATED			
© COPYRIGHT 19- BY AMP HOLLAND B.V. ALL INTERNATIONAL RIGHTS RESERVED. AMP PRODUCTS MAY BE COVERED BY U.S. AND FOREIGN AND/OR PATENTS PENDING. THIS DRAWING IS UNPUBLISHED RELEASED FOR PUBLICATION			
AMP		AMP HOLLAND B.V. 's-Hertogenbosch, The Netherlands.	
NAME PIN MATE-N-LOK.			
B	EH-1221-96	JvL AB	24-10-96
LTR.	REVISION RECORD	DR.	CHK. DATE
DR.:	J.v.LIEMPT	CHK.:	A.BIJNEN.
DATE:	24 OCT 96	APP.:	M.v.DRIEL
		DATE:	
DWG.No. C-163555		REV.LTR. B	SHEET 1 OF 1