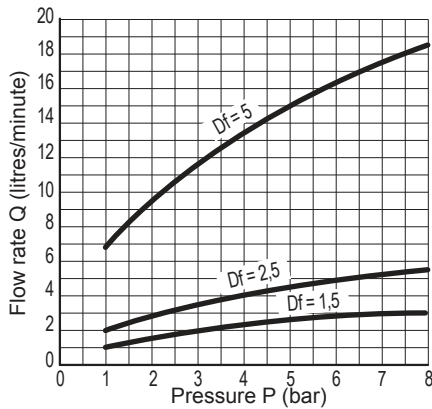
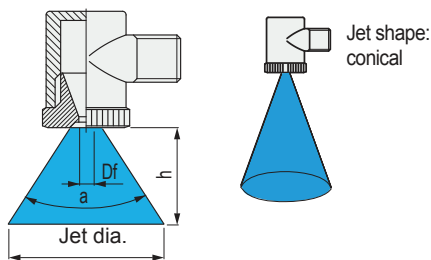


### Capacity diagram of Part. S0019



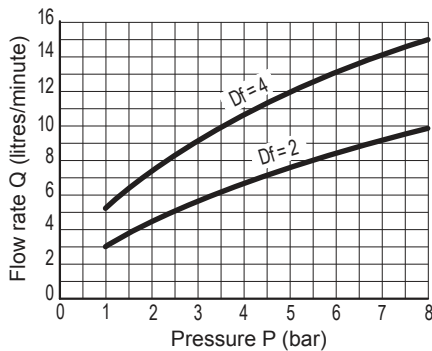
### Dimensions and jet shape of Part. S0019



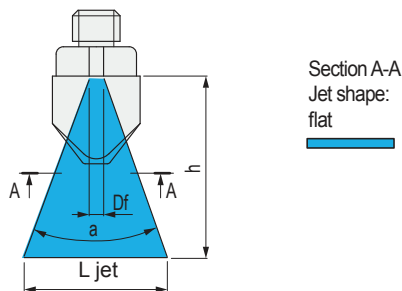
Bore dia. Df mm	outlet angle a	Jet dia. mm	distance h mm
1,5	18	160	500
2,5	22	200	500
5	60	600	500

Tests performed at 2 bar pressure.

### Capacity diagram of Part. S0018



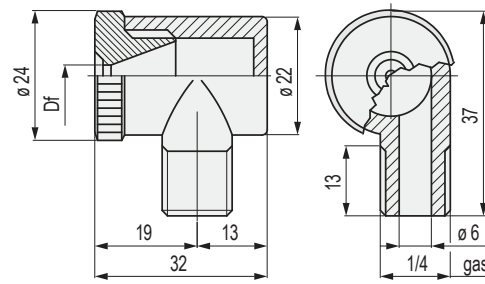
### Dimensions and jet shape of Part. S0018



Bore dia. Df mm	outlet angle a	Jet width L mm	distance h mm
2	28	250	500
4	18	160	500

Tests performed at 2 bar pressure.

### Nozzle conical shape



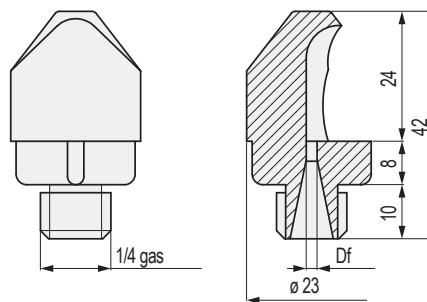
Bore dia. Df mm	Code
1,5	51450
2,5	51460
5	51470

- Use: washing equipment.
- Material: polyamide PA (black).
- Max operating temperature in contact with hot water: 70°C.
- Packaging: 100 pieces.

## Part. S0019



### Nozzle shell shape



Bore dia. Df mm	Code
2	51480
4	51490

- Use: washing equipment.
- Material: polyamide PA (white).
- Max operating temperature in contact with hot water: 70°C.
- Packaging: 200 pieces.

## Part. S0018



- Best Seller
- Standard
- On request: minimum quantity may apply. Consult our Customer Service for availability.

Item code for order = Part. + Code