



## Strainers

Bronze / brass

**60-1/K to 60-8/K**

**DN 8 to DN 50  
PN 16**

### Ordering data

Order No.	Ident No.	DN	Port
		[mm]	
60-1/K	105659	8	G 1/4
60-2/K	105660	10	Rp 3/8
60-3/K	105661	15	Rp 1/2
60-4/K	105662	20	Rp 3/4
60-5/K	105663	25	G 1
60-6/K	105664	32	G 1 1/4
60-7/K	105665	40	G 1 1/2
60-8/K	105666	50	G 2

### Description

- Bronze strainer with screen made of stainless chromium-nickel steel
- **Screen mesh size 0.25 mm; 600 meshes/cm<sup>2</sup>**

#### On request:

- G 2½ and G 3 strainers (body and head piece made of brass)
- Mesh size 0.60 mm

### Technical data

Working pressure	Max. 25 bar
Operating temperature	-15 °C to +150 °C

### Materials

Body	Bronze
Screen	Chromium-nickel steel
Head piece	Brass
Seal	FKM (FPM) O-ring

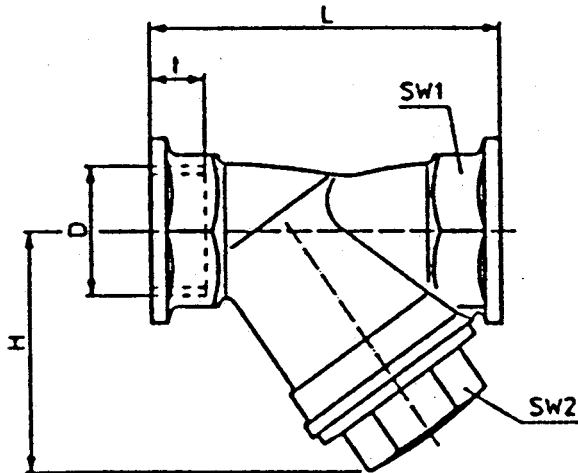
### Applications

- Pipe valves and fittings PN 16 up to 150°C
- For liquids, gases, steam, water, mineral, fuel and hydraulic oils, fuels and other non-corrosive media in a liquid or gaseous state
- **Note: Flow direction** (indicated by arrow)

### Accessories

Strainers	Spare parts sets (screen* + seal)	End caps
Art. No.	Art. No.	Art. No.
60-1/K	60-2/ETS - 105667	601.1.913
60-2/K	60-2/ETS - 105667	601.1.913
60-3/K	60-3/ETS - 105668	603.1.013
60-4/K	60-4/ETS - 105669	604.1.013
60-5/K	60-5/ETS - 105670	605.1.013
60-6/K	60-6/ETS - 105671	606.1.013
60-7/K	60-7/ETS - 105672	607.1.013
60-8/K	60-8/ETS - 105673	608.1.013

\* Screen: Mesh size 0.25 mm



### Dimensions [mm]

D	L	t	H	a/f 1	a/f 2
G 1/4	56,0	11,0	34	21	17
Rp 3/8 DIN 2999	63.5	10.1	34	22	17
Rp 1/2	66.5	13.2	42	27	22
Rp 3/4	76.5	14.5	52	32	27
G 1	90,0	15,0	61	38	32
G 1 1/4	112,0	18,0	73	47	41
G 1 1/2	120,0	18,0	82	54	46
G 2	150,0	22,0	94	66	56

### Dimensions [mm] of screens

D	Height	Ø
DN 8 + DN 10	22	13.5
DN 15	27	19.0
DN 20	36	25.0
DN 25	42	31.0
DN 32	55	43.0
DN 40	62	48.5
DN 50	72	64.0

### Dimensions [mm] of seal

D	Dimensions
DN 8 + DN 10	17.30x2.40
DN 15	23.30x2.40
DN 20	29.82x2.62
DN 25	38x3
DN 32	48x3
DN 40	54x3
DN 50	70x3

### Flow rates

Port	Kv value (water) in m <sup>3</sup> /h at Δp 1 bar	
	Mesh size 0.25	Mesh size 0.60
G 1/4	1.4	1.5
Rp 3/8 DIN 2999	1.6	1.7
Rp 1/2	3.4	3.8
Rp 3/4	6.9	7.8
G 1	10.9	13.4
G 1¼	20.7	23.9
G 1½	27.4	32.5
G 2	47.3	56.2