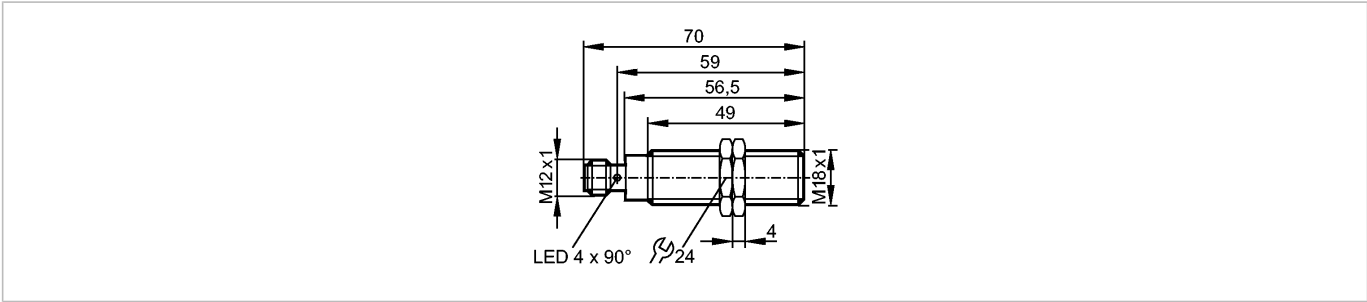


IGC222

IGK2008BFRKG/M/2LED/US-104-IRF

Inductive sensors



Product characteristics

Inductive sensor
Metal thread M18 x 1
Connector
Increased sensing range
Optical setting aid (2 LED)
Gold-plated contacts
Sensing range 8 mm; [f] flush mountable

Electrical data

Electrical design	DC PNP/NPN
Operating voltage [V]	10...30 DC
Protection class	II
Reverse polarity protection	yes

Outputs

Output function	normally open / closed programmable
Voltage drop [V]	< 4.6
Minimum load current [mA]	4
Leakage current [mA]	< 1
Current rating [mA]	100
Short-circuit protection	pulsed
Overload protection	yes
Switching frequency [Hz]	400

Range

Sensing range [mm]	8
Operating distance [mm]	0...6.48

Accuracy / deviations

Correction factors	mild steel = 1 / stainless steel approx. 0.7 / brass approx. 0.5 / Al approx. 0.4 / Cu approx. 0.3
Hysteresis [% of Sr]	1...20
Switch-point drift [% of Sr]	-10...10

Environment

Ambient temperature [°C]	-25...70
Protection	IP 68; "Coolant"

Tests / approvals

EMC	EN 61000-4-2 ESD: 4 kV CD / 8 kV AD
	EN 61000-4-3 HF radiated: 10 V/m
	EN 61000-4-4 Burst: 2 kV

IGC222

IGK2008BFRKG/M/2LED/US-104-IRF

Inductive sensors

	EN 61000-4-6 HF conducted:	10 V
	EN 55011:	class B
MTTF	[Years]	1357

Mechanical data

Mounting	flush mountable
Housing materials	housing: Brass white bronze coated; active face: LCP uncoloured
Weight	[kg] 0.056

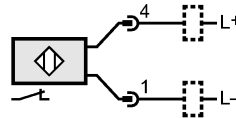
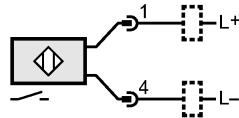
Displays / operating elements

Output status indication	LED	yellow (4 x 90°)
Setting aid	LED	Red

Electrical connection

Connection	M12 connector; Gold-plated contacts
------------	-------------------------------------

Wiring



Accessories

Accessories (included)	2 lock nuts
------------------------	-------------

Remarks

Pack quantity	[piece]	1
---------------	---------	---