

LMP 950-951 series

Maximum working pressure up to 3 MPa (30 bar) - Flow rate up to 2400 l/min



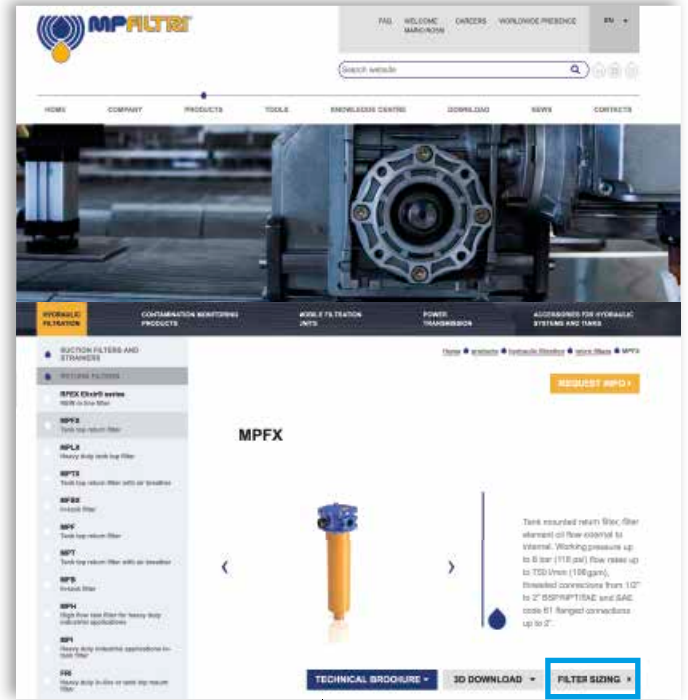
TYPICAL FILTER SIZING Selection Software

Step ①

Select "FILTER SIZING SOFTWARE" after login

OR

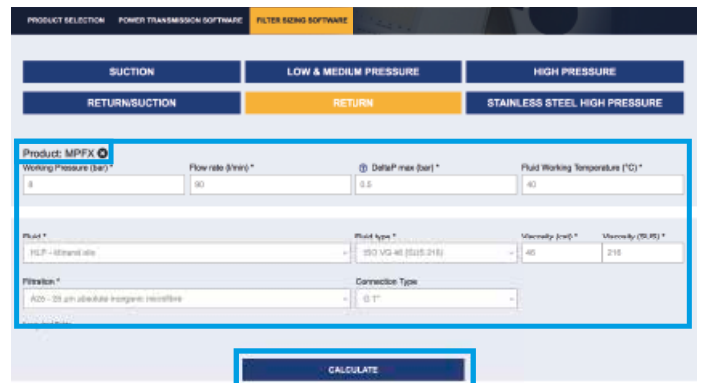
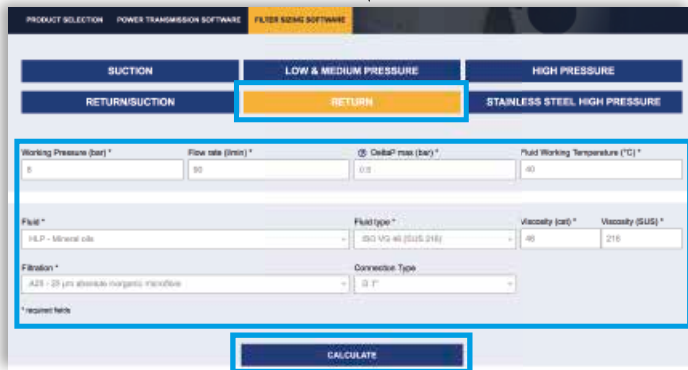
Select "FILTER SIZING" after login from a product page



Choose the type of filter family.
Enter the main data for sizing the filter
then push CALCULATE.

Step ②

Enter the main data for sizing the filter
then push CALCULATE.



Step ③

Select the desired options to choose the appropriate filter type for the application.

Working Pressure: 8 (bar) | Fluid: HLP | Flow rate: 90 (l/min) | Fluid type: ISO VG 46 (SUS 216) | DP max of the project: 0.5 (bar) | Seal: A - NBR | Working Temperature: 40 (°C) | Optional seals: V - FPM | Filtration: 25 µm absolute inorganic microfibre | Working Temperature with options: -20 + 110 (°C) | Connection Type: G 1" | Viscosity: 46 (cst) - 216 (SUS)

Filter type: MPFX: Tank top mounting - (Pmax 1 - B: 1.75 bar (Systems) - Seal: A - NBR

Option1: Single or duplex | **DIN Standard:** NOT APPLICABLE | **Indicator:** Visual

Image	Code	Press	Qmax	DP	Housing DP	Element DP	Connection	Seal	Link					
		bar	psi	l/min	bar	psi	bar	psi						
	MPFX-100-3-A-G3-A25-HBP51	8	116	25.74	25.3	0.47	7	0.12	2	0.35	5	G 1"	A	Adjustment Report
	MPFX-150-3-A-G3-A25-HBP51	8	178	66.74	25.3	0.47	7	0.12	2	0.38	6	G 1"	A	Adjustment Report

Step 4

Choose the most suitable filter from the proposed list.

Image	Code	Peak bar	Qmax gal/min	ΔP bar	Housing ΔP bar	Element ΔP bar	Connection	Seal	Link			
	MPFX-103-3-A-Q3-A25-H-BPFI	8	116	25.74	25.3	0.47	T	0.12 2	0.33 5	G 1"	A	Adjustment Report
	MPFX-104-3-A-Q3-A25-H-BPFI	8	116	25.74	25.3	0.47	T	0.12 2	0.33 5	G 1"	A	Adjustment Report

Step 5

It is possible to change the filter modifying every parameter.



A SAVE YOUR FILTER'S REPORT



B MANUAL EDIT



SAVE IN YOUR ARCHIVE
typing your reference data and then SAVE AS PDF



A new browser window displays the pdf

see **A**

Close the report window



By clicking your WELCOME button, the SHOW REPORTS is displayed: select it to see your filters list.

LMP 950-951 GENERAL INFORMATION

Description

Technical data

Low & Medium Pressure filters

Maximum working pressure up to 3 MPa (30 bar)
Flow rate up to 2400 l/min

LMP950 is a range of low pressure filter with large filtration surface mainly suitable for lubrication, off-line filtration of the reservoirs and filtration equipment.

They are directly connected to the lines of the system through the hydraulic fittings.

Available features:

- Flanged connections up to 4", for a maximum flow rate of 2400 l/min
- In line or 90° connections, to meet any type of application
- Base-mounting design, for ease of the replacement of the filter element
- Fine filtration rating, to get a good cleanliness level into the system
- Water removal elements, to remove the free water from the hydraulic fluid. For further information, see the Contamination Management document and the dedicate leaflet.
- Bypass valve, to relieve excessive pressure drop across the filter media
- Vent ports, to avoid air trapped into the filter going into the system
- Drain ports, to remove the fluid from the housing prior the maintenance work
- Visual, electrical and electronic differential clogging indicators

Common applications:

- Off-line filtration of reservoirs
- Filtration systems
- Lubrication systems

Filter housing materials

- Head: Anodized Aluminium
- Housing: Anodized Aluminium
- Bypass valve: Anodized Aluminium

Pressure

- Test pressure: 4,5 MPa (45 bar)
- Burst pressure: 12 MPa (120 bar)
- Pulse pressure fatigue test: 1 000 000 cycles with pressure from 0 to 3 MPa (30 bar)

Bypass valve

- Opening pressure 350 kPa (3.5 bar) ±10%
- Other opening pressures on request.

Δp element type

- Microfibre filter elements - series N: 20 bar
- Fluid flow through the filter element from OUT to IN

Seals

- Standard NBR series A
- Optional FPM series V

Temperature

From -25 °C to +110 °C

Connections

LMP 950: In-line Inlet/Outlet
 LMP 951: 90° Inlet/Outlet

Note

LMP 950 - 951 filters are provided for vertical mounting



Weights [kg] and volumes [dm³]

Filter series	Weights [kg]			Volumes [dm ³]		
	Length	2	3	Length	2	3
LMP 950-951		25.1	33.5		15	28

Filter series	Length	Filter element design - N Series						M25 M60 M90 M250
		A03	A06	A10	A16	A25		
LMP 950	2	613	756	953	1219	1515	2170	
	3	1148	1219	1502	1713	1808	2293	
LMP 951	2	635	789	1007	1308	1649	2420	
	3	1226	1308	1634	1881	1993	2566	

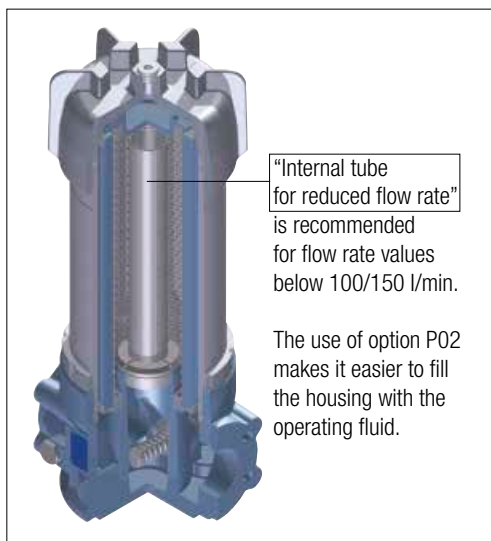
Maximum flow rate for a complete low and medium pressure filter with a pressure drop $\Delta p = 0.7$ bar.

The reference fluid has a kinematic viscosity of 30 mm²/s (cSt) and a density of 0.86 kg/dm³.

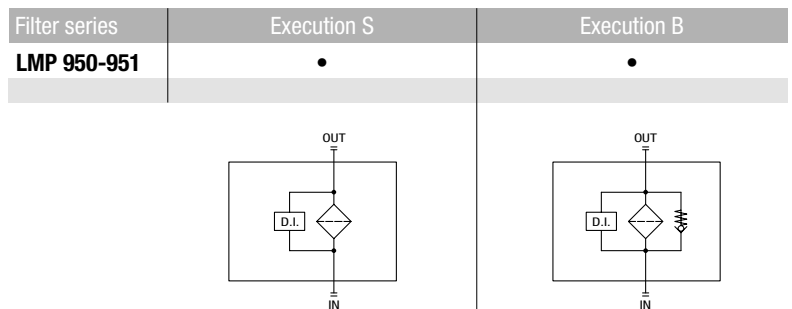
For different pressure drop or fluid viscosity we recommend to use our selection software available on www.mpfiltri.com.

You can also calculate the right size using the formulas present on the FILTER SIZING paragraph at the beginning of the full catalogue or at the beginning of the filter family brochure. Please, contact our Sales Department for further additional information.

Execution P02

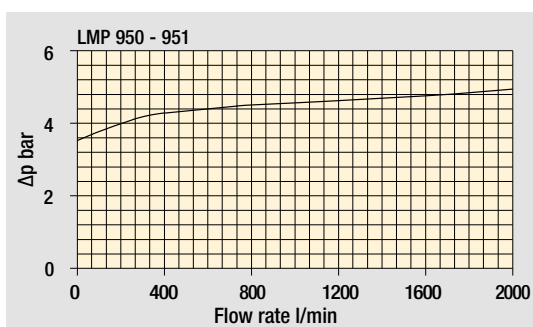
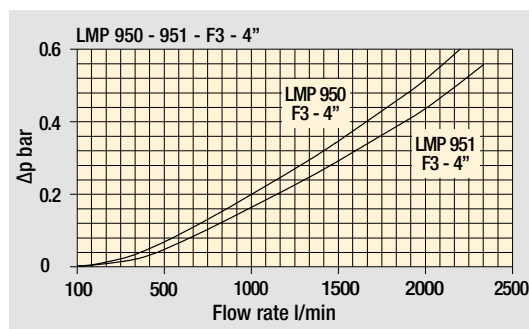
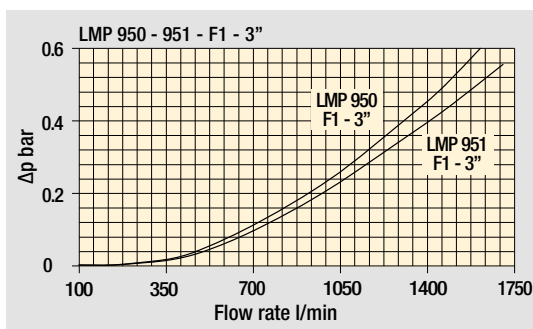


Hydraulic symbols



Pressure drop

Filter housings Δp pressure drop



Bypass valve pressure drop

The curves are plotted using mineral oil with density of 0.86 kg/dm³ in compliance with ISO 3968. Δp varies proportionally with density.

LMP 950-951

Designation & Ordering code

COMPLETE FILTER

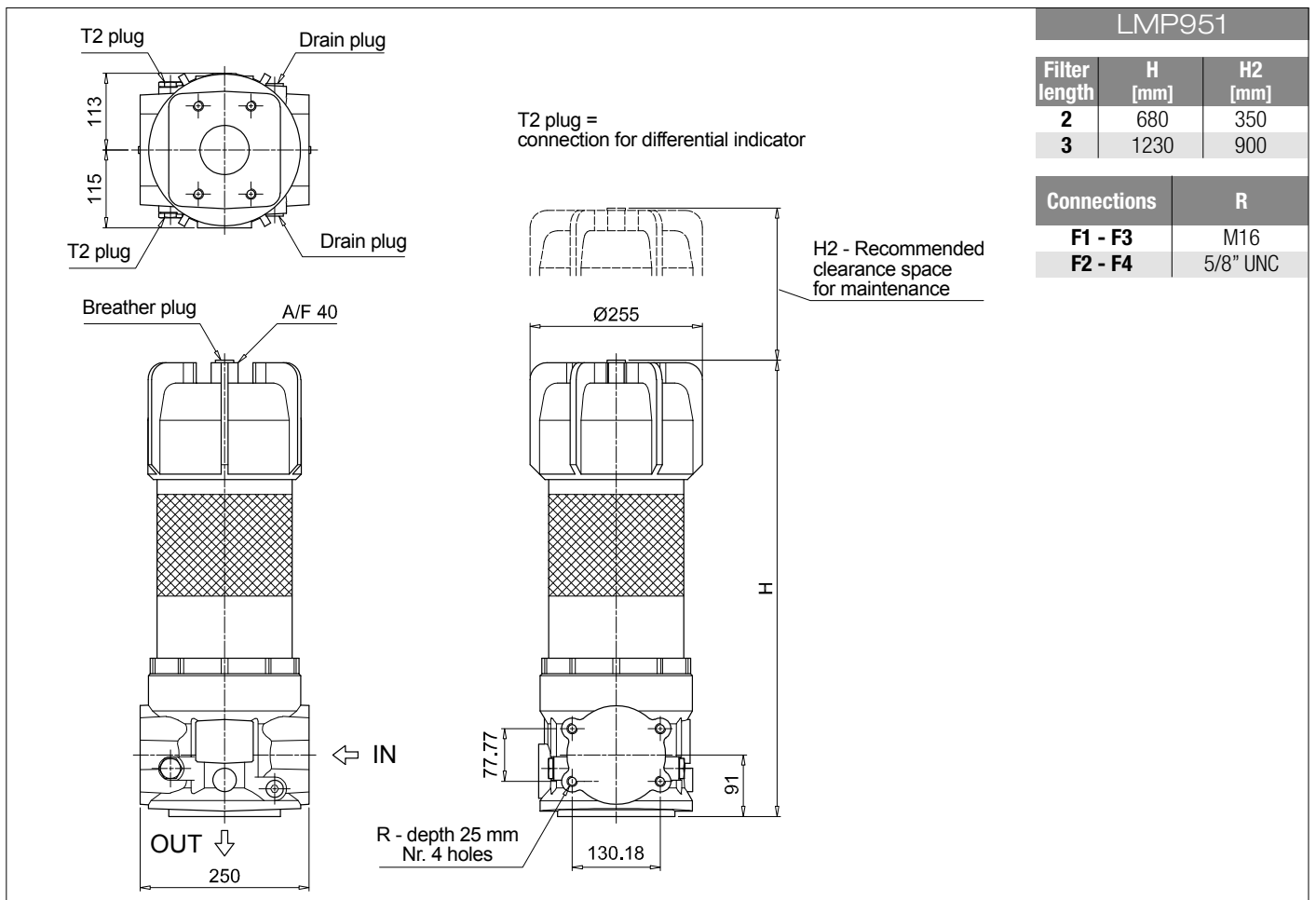
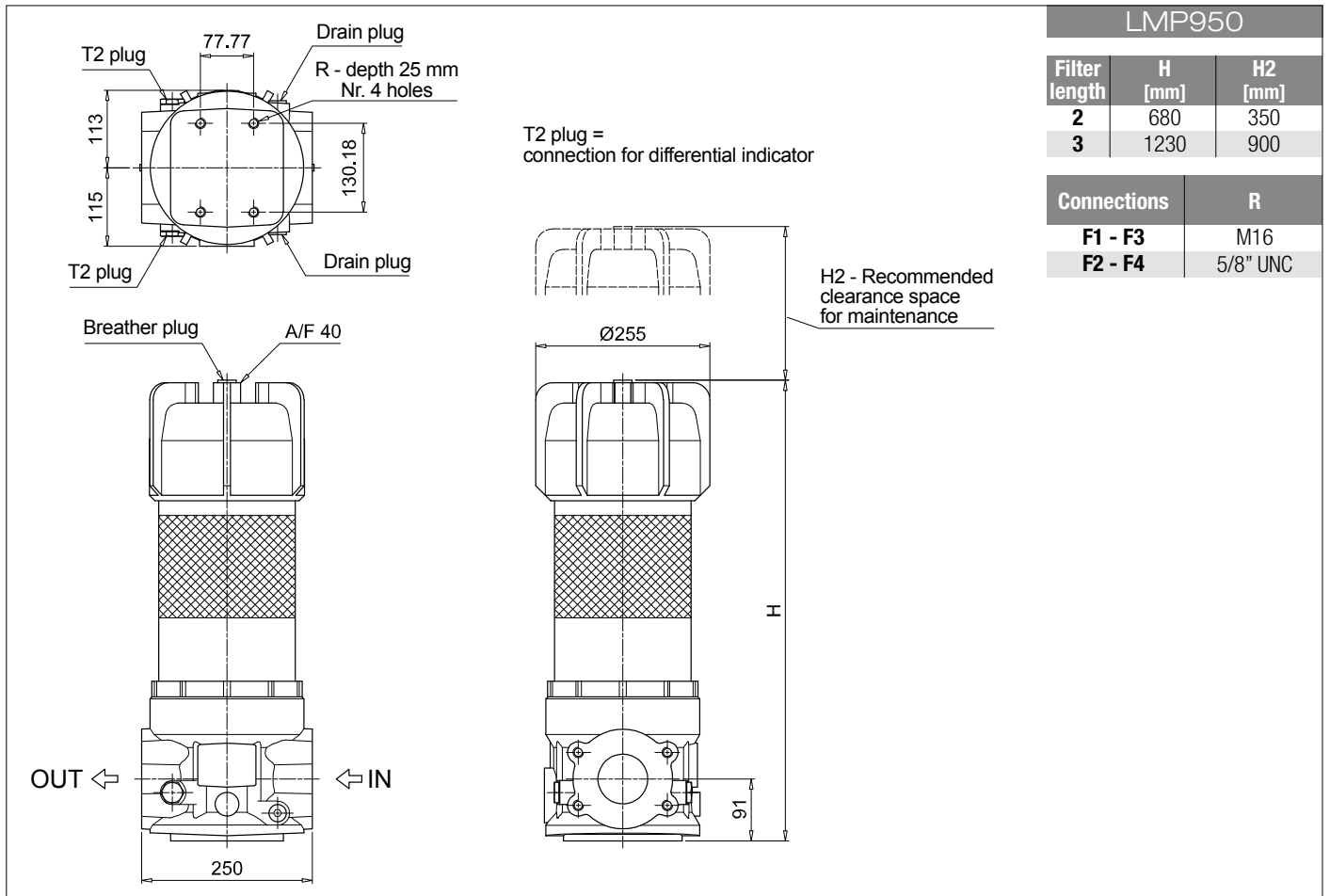
Series and size LMP950 LMP951	Configuration example: LMP951	2	B	A	F2	A10	N	P01
Length 2 3								
Bypass valve S Without bypass B 3.5 bar								
Seals and treatments A NBR V FPM								
Connections F1 3" SAE 3000 psi/M F2 3" SAE 3000 psi/UNC F3 4" SAE 3000 psi/M F4 4" SAE 3000 psi/UNC								
Filtration rating (filter media) A03 Inorganic microfiber 3 µm M25 Wire mesh 25 µm A06 Inorganic microfiber 6 µm M60 Wire mesh 60 µm A10 Inorganic microfiber 10 µm M90 Wire mesh 90 µm A16 Inorganic microfiber 16 µm A25 Inorganic microfiber 25 µm WA025 Water absorber inorganic microfiber 25 µm								
	Element Δp N 20 bar	Execution P01 MP Filtri standard P02 With internal tube for reduced flow rate Pxx Customized						

FILTER ELEMENT

Element series and size CU950	Configuration example: CU950	2	A10	A	N	P01
Element length 2 3						
Filtration rating (filter media) A03 Inorganic microfiber 3 µm M25 Wire mesh 25 µm A06 Inorganic microfiber 6 µm M60 Wire mesh 60 µm A10 Inorganic microfiber 10 µm M90 Wire mesh 90 µm A16 Inorganic microfiber 16 µm A25 Inorganic microfiber 25 µm WA025 Water absorber inorganic microfiber 25 µm						
Seals A NBR V FPM						
	Element Δp N 20 bar	Execution P01 MP Filtri standard Pxx Customized				

ACCESSORIES

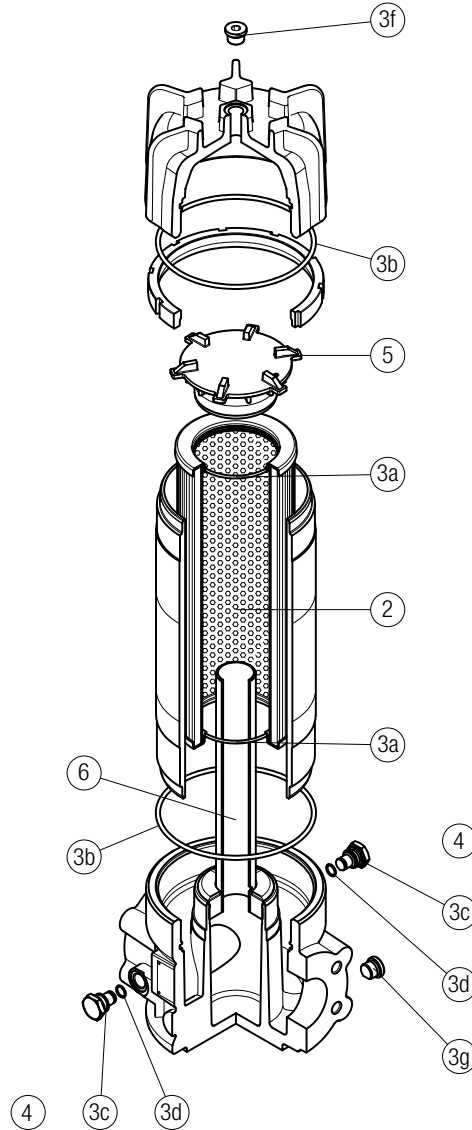
Differential indicators	page		page
DEA Electrical differential indicator	445	DTA Electronic differential indicator	448
DEM Electrical differential indicator	445-446	DVA Visual differential indicator	448
DLA Electrical / visual differential indicator	446-447	DVM Visual differential indicator	448
DLE Electrical / visual differential indicator	447		
Additional features	page		page
T2 Plug	449	CFA Retaining clamp	450



LMP 950-951 SPARE PARTS

Order number for spare parts

LMP 950 - 951



Item:	Q.ty: 2 pcs.	Q.ty: 1 pc.		Q.ty: 2 pcs.		Q.ty: 1 pc.		Q.ty: 1 pc.	
Filter series	Filter element	Seal Kit code number		Indicator connection plug		Housing spigot		Tube assembly	
LMP 950-951 length 2-3	See order table	NBR	FPM	NBR	FPM	no bypass	with bypass	length 2	length 3
		02050367	02050368	T2H	T2V	01044106	02001379	02025032	02025033