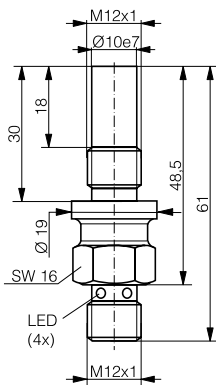
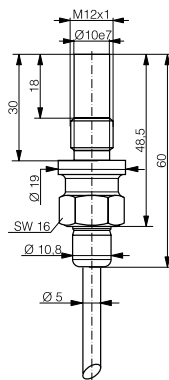


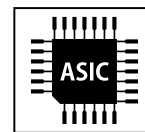
HOUSING	OPERATING DISTANCE	MOUNTING	<ul style="list-style-type: none"> ✓ One-piece housing in stainless steel V4A ✓ Robust and food-safe ✓ Corrosion resistant 	<ul style="list-style-type: none"> ✓ IP68 and IP69K, Ecolab ✓ Long operating distance ✓ Factor 1 on Fe and Al ✓ IO-Link v1.1
M12	1.5 mm	Embeddable		



DW-LS-70x-P12G



DW-LD-70x-P12G



DETECTION DATA		INTERFACE	
Rated operating distance (S_n)	1.5 mm	Indicator LED, yellow	Sensing state ($0 \leq s \leq 0.8 S_r$)
Assured operating distance (S_a)	$\leq (0.81 \times S_n)$ mm	Indicator LED, yellow, blinking	Sensing state ($0.8 S_r < s \leq S_r$)
Repeat accuracy	≤ 0.06 mm	IO-Link	✓
Hysteresis	$3\% S_r \leq \text{Hyst} \leq 15\% S_r$	MTTF (@40°C)	948 y
Temperature drift	$\leq 10\% S_r$		
Standard target	10 x 10 x 1 mm ³ , FE360		

Note: $0.9S_n \leq S_a \leq 1.1S_n$.

ELECTRICAL DATA		MECHANICAL DATA	
Supply voltage range (U_B)	10...30 VDC	Operating pressure	≤ 500 bar
Residual ripple	$\leq 20\% U_B$	Peak pressure	≤ 800 bar
Output current	≤ 200 mA	Mounting	Embeddable
Output voltage drop	≤ 2.0 VDC	Housing material	V4A / 1.4435 / AISI 316L
Power consumption (no-load)	≤ 10 mA	Sensing face material	V4A / 1.4435 / AISI 316L
Residual current	≤ 0.1 mA	Max tightening torque	50 Nm
Switching frequency	≤ 850 Hz	Ambient operating temperature	-25...+85°C ¹
Short-circuit protection	✓	Enclosure rating	IP68 / IP69K
Voltage reversal protection	✓	Weight (cable/connector)	see page 2
Cable length max.	≤ 300 m	Shock and vibration	IEC 60947-5-2 / 7.4

¹Maximum temperature according to UL: 70°C.

Note: all data measured according to IEC 60947-5-2 standard with $U_B=20 \dots 30$ VDC, $T_A=23^\circ\text{C} \pm 5^\circ\text{C}$.

CORRECTION FACTORS FOR TARGET OF

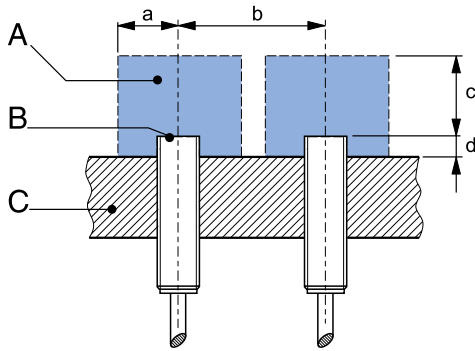
Steel FE 360	1	Copper	0.8	Aluminum	1	Brass	1.5	Stainless Steel V2A 1/2 mm	0 / 0
--------------	---	--------	-----	----------	---	-------	-----	----------------------------	-------

CORRECTION FACTORS FOR EMBEDDABLE MOUNTING IN SUPPORT OF

Steel FE 360	1	Aluminum	0.6	Brass	0.7	Stainless Steel V2A	0.8
--------------	---	----------	-----	-------	-----	---------------------	-----

Note: the operating distance of the sensor must be multiplied by the correction factor of the material. For example, the operating distance on Aluminum is $S_{n,Al} = S_n \times CF_{Al}$. In case of embeddable mounting, the distance is multiplied by the additional correction factor of the support, thus $S_{n,Al} = S_n \times CF_{Al} \times CF_{emb,Al}$.

INSTALLATION CONDITIONS



A : metal free zone
 B : sensing face
 C : support

a : 5 mm
 b : 30 mm
 c : 5 mm

d : steel 0 mm

Note: additional installation information can be found in the glossary of the Contrinex General Catalog.

IO-LINK FUNCTIONALITIES

IO-Link version	1.1
SIO mode	Supported
Process data	7-bit input
Baudrate	COM2 (38.4 kBaud)
Minimum cycle time	10.4 ms
ISDU	Not supported



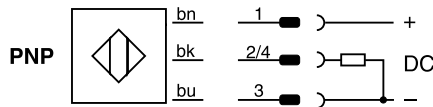
IODD files may be downloaded from

www.contrinex.com/product-range/inductive-sensors/.

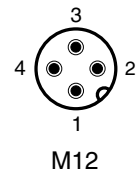
Select the product name to display the product page with corresponding downloads.

Alternatively, just click/scan the QR code on the left.

WIRING DIAGRAM



PIN ASSIGNMENT



AVAILABLE TYPES

Part number	Part reference	Polarity	Connection	Output on pin 2	Output on pin 4 / bk	Weight
330-320-082	DW-LD-703-P12G-003	PNP	PUR, 2 m, 3 wire	-	Normally open (NO) / IO-Link	106 g
330-320-083	DW-LS-703-P12G	PNP	M12 4-pin	-	Normally open (NO) / IO-Link	40 g

Note: part reference may include additional suffix to indicate a revision version or special version. Further information is available on request.

Operators of the products we supply are responsible for compliance with measures for the protection of persons. The use of our equipment in applications where the safety of persons might be at risk is only authorized if the operator observes and implements separate, appropriate and necessary measures for the protection of persons and machines. Terms of delivery and rights to change design reserved.