

MATERIAL SPECIFICATION

Manufacturer	: ELESA GANTER
Manufacturer's specifications	: ELESA General Catalogue 038, 2012
Manufacturer's type Number	: GN 728-180-A-SW

The material should conform to the specifications given in the above referenced documents. If the data in the above referenced documents no longer represent the current state of the material, the supplier should immediately inform Aselsan of the situation and provide up-to-date information.

The data given below are intended to provide the user a quick guide about the material. The complete material specifications are in the above referenced documents.

Description	: U Type handle
Features and Benefits	: Back mounting from tapped blind holes
Material	: Pressure die-cast aluminium
Coating and Finish	: Epoxy resin coating, RAL 9005 black colour, matte finish
Dimensions	: See Figure 1
Dimension Details	: See Table 1

Onay- Approved by Faik HAZNEDAR	Tanım- Description HANDLE AL BK 214X47.5 KULP AL SY 214X47.5					Doküman/Parça Numarası- Document/Part Number MM-0000-8102	
Kontrol- Checked by Mustafa KAMANLI						Rev Kodu- Rev Code A	Deđişiklik Tarihi- Change Date
Hazırlayan- Prepared by Gökhan ÖZYURT	Yazım Ortamı- Editing Env Word 2007	Dok Kodu- Doc Code 112	Syf/Syflr-Pg/Pgs 1 / 2	Tarih- Date 02/07/14	Dil- Lng 10	Deđiřtiren- Changed by	Boyut- Size A4
Bölüm- Department SST/MTM							

Sistemdeki güncel revizyon kodu ve tarihi taşıyorsa geçerlidir.- It is valid only if it has the current revision code and date in the system.

Şablon-Template: SSB-SG-58 / Haziran 2010 / Rev.A

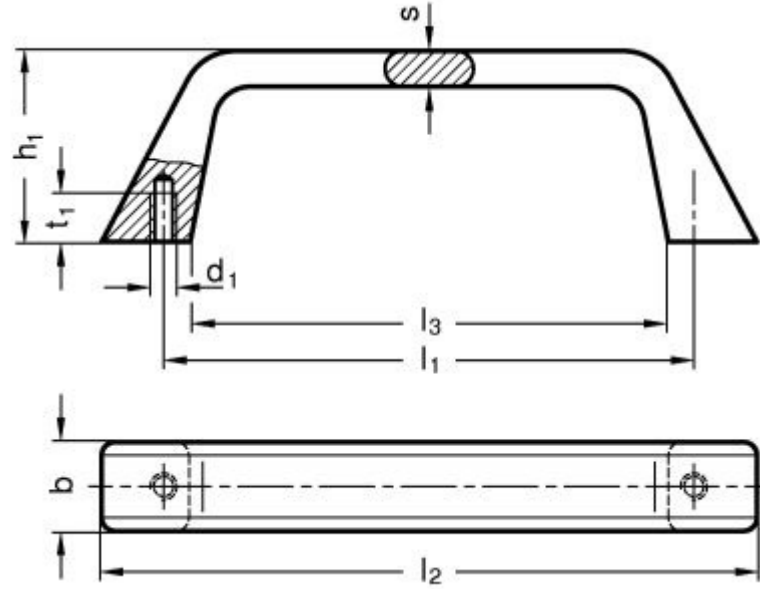


Figure 1 - Mechanical Dimensions (mm)

Table 1 - Dimension and Technical Details

Main Dimensions (mm)						Mounting Holes (mm)		Weight (gr)
l_1	b	h_1	l_2	l_3	s	d_1	t_1	
180	27	47.5	214	165	10	M8	12	185

Onay- Approved by Faik HAZNEDAR	Tanım- Description					Doküman/Parça Numarası- Document/Part Number		
Kontrol- Checked by Mustafa KAMANLI	HANDLE AL BK 214X47.5 KULP AL SY 214X47.5					MM-0000-8102		
Hazırlayan- Prepared by Gökhan ÖZYURT						Rev Kodu- Rev Code A		Değişiklik Tarihi- Change Date
Bölüm- Department SST/MTM	Yazım Ortamı- Editing Env Word 2007	Dok Kodu- Doc Code 112	Syf/Syflr-Pg/Pgs 2 / 2	Tarih- Date 02/07/14	Dil- Lng 10	Değiştiren- Changed by		Boyut- Size A4

Sistemdeki güncel revizyon kodu ve tarihi taşıyorsa geçerlidir.- It is valid only if it has the current revision code and date in the system.

Şablon-Template: SSB-SG-58 / Haziran 2010 / Rev.A