

Metal-bodied limit switches

GC I

Slim design
Protection class IP 65
Very large range of actuators
Multiple pole contacts



- Snap action or slow make & break contacts
- Galvanically separated contacts (type dependant)
- Forced disconnection of NC contacts
- Protection class IP 65
- Aluminum body and lid
- 4 x 90° actuator positions
- Adjustment of the AH lever arm position in 90° increments
- Single direction operation of contacts with AH actuator (user selectable)
- Cable entry M 20 x 1.5
- Terminals numbered in accordance with DIN EN 50013
- International approvals
- Model range GC II for additional switch functions (on request)

Mounting

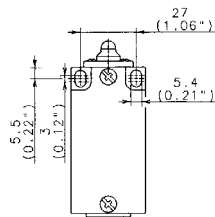
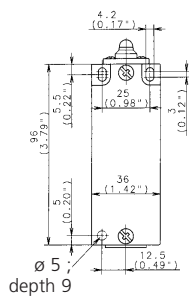
- Adjustable – two slots for M 4 screws

Benefits

- Screw terminals with self-lifting clamps for easy wiring
- Easily exchanged contact block with latch holding device
- Contact switch point adjustable with adjusting screw

Options

- Contact lock (button reset)
- Housing size I
Slots for M 5 fixing screws (27 mm pitch)
- EEx certificated versions available acc. ATEX 100 a guideline 94/9/EG
Ⓜ II 2 G EEx d II C T6
TÜV 03 ATEX 2043 X



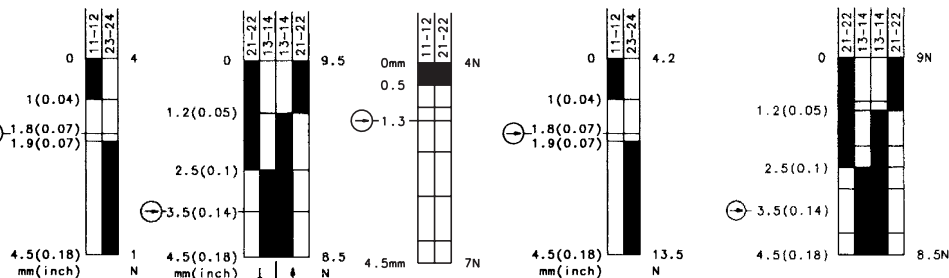
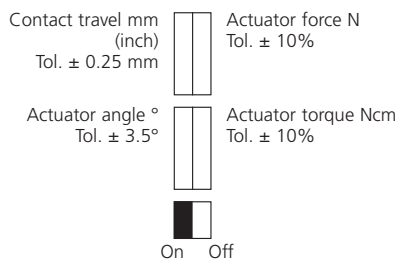
(For safety applications use 4 mm \varnothing dowel in pre-formed blind hole on underside of switch body or select body with M 5 round holes)

Contact configuration

Contact type	Switch function	Switch contacts	Reference	Max. voltage	Max. constant current
Slow make & break	Changeover	1NC/1NO	U1/U1Z	500 V	10 A
Snap action	Changeover	1NC/1NO	SU1/SU1Z	500 V	10 A
Slow make & break	NC	2NC	A2Z	400 V	6 A
Slow make & break	NO	2NO	E2	400 V	6 A
Slow make & break	Changeover overlapping	1NC/1NO	UV1Z	500 V	10 A
Slow make & break	Changeover	2NC/1NO	U15Z	400 V	6 A
Slow make & break	Changeover	1NC/2NO	U16Z	400 V	6 A
Slow make & break	Changeover overlapping	2NC/1NO	UV15Z	400 V	6 A
Slow make & break	Changeover overlapping	1NC/2NO	UV16Z	400 V	6 A
Slow make & break	Changeover	2NC/2NO	U2Z	400 V	6 A
Snap action	Changeover	2NC/2NO	SU2	250 V	6 A

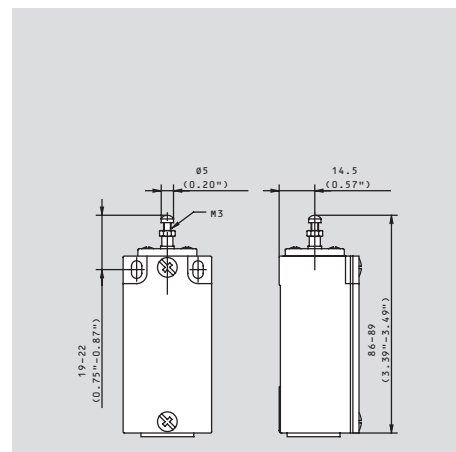
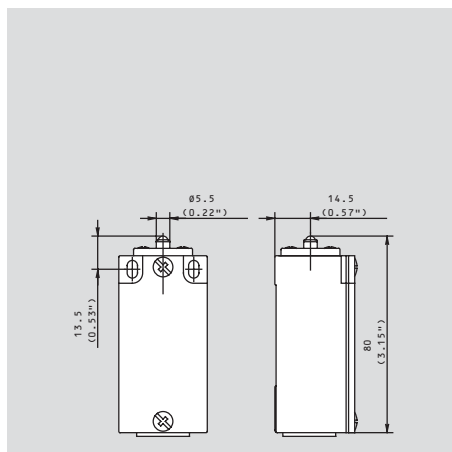
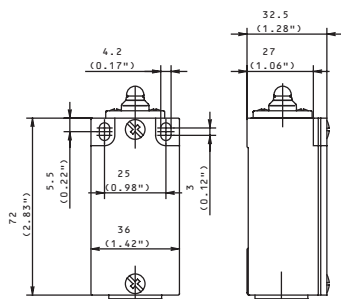


Designation	GC-U1Z iw	GC-SU1Z iw	GC-A2Z iw	GC-U1Z STiw	GC-SU1Z STiw
Part number	602.1102.001	602.1352.620	602.1802.189	602.1105.015	602.1155.017
Circuit diagram					
⊕ Forced disconnect to IEC 947-5-1 chapter 3					
Za: not galvanically separated contacts					
Zb: galvanically separated contacts					
Slow make & break/snap-action					
Internal seal (iw)/external seal (w)	iw	iw	iw	iw	iw



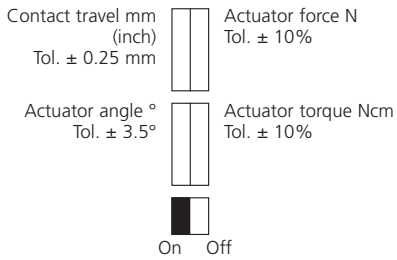
Voltage	max.	500 V AC	500 V AC	400 V AC	500 V AC	500 V AC
Permanent current	max.	10 A	10 A	6 A	10 A	10 A
In-rush current complies with standards		●	●	●	●	●
IEC 947-5-1 AC 15/DC 13						
Switching frequency	max.	100/min.	100/min.	100/min.	100/min.	100/min.
Mechanical life – number of switching actions		10 x 10 ⁶	10 x 10 ⁶	3 x 10 ⁵	10 x 10 ⁶	10 x 10 ⁶
Operating temperature	min./max.	-30 °C/+80 °C	-30 °C/+80 °C	-30 °C/+80 °C	-30 °C/+80 °C	-30 °C/+80 °C
		-22 °F/+176 °F	-22 °F/+176 °F	-22 °F/+176 °F	-22 °F/+176 °F	-22 °F/+176 °F
Approvals		UL, CSA	UL, CSA	UL, CSA	UL, CSA	UL, CSA
Weight		0.14 kg/0.31 lb	0.14 kg/0.31 lb	0.14 kg/0.31 lb	0.14 kg/0.31 lb	0.14 kg/0.31 lb
Delivery: ex-stock/built to order		●/-	●/-	-/●	●/-	●/-

All dimensions in mm (inch)





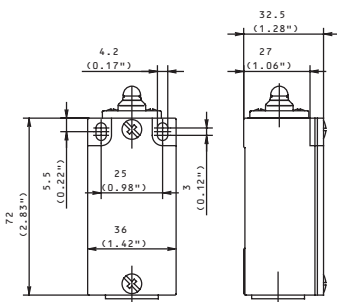
Designation
Part number
 Circuit diagram
 ⊕ Forced disconnect to IEC 947-5-1 chapter 3
 Za: not galvanically separated contacts
 Zb: galvanically separated contacts
 Slow make & break/snap-action
 Internal seal (iw)/external seal (w)



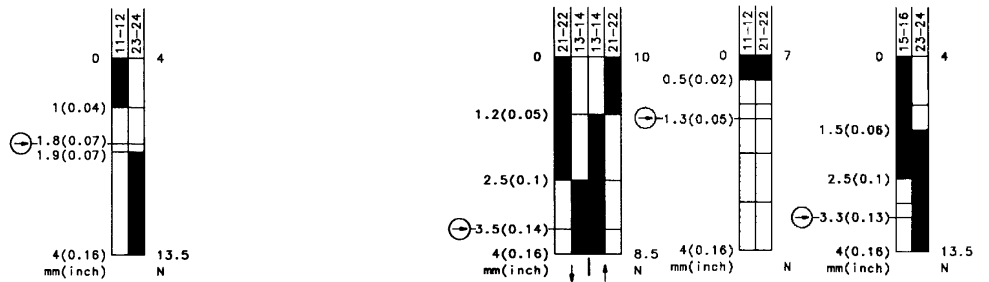
Voltage max.
 Permanent current max.
 In-rush current complies with standards
 IEC 947-5-1 AC 15/DC 13
 Switching frequency max.
 Mechanical life – number of switching actions
 Operating temperature min./max.

Approvals
 Weight
 Delivery: ex-stock/built to order

All dimensions in mm (inch)

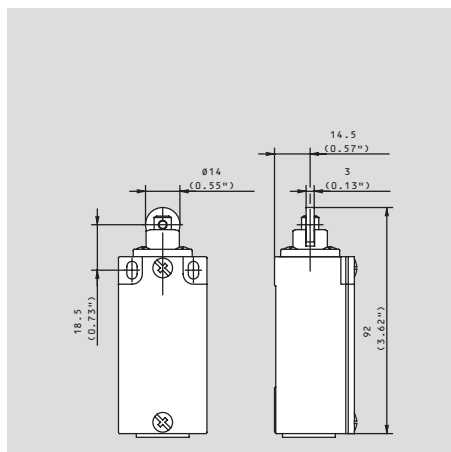


GC-U1Z Riw	GC-SU1Z Riw	GC-A2Z Riw	GC-UV1Z Riw
602.1117.029	602.1367.626	602.1817.172	602.1317.030
⊕ Zb	⊕ Zb	⊕ Za	⊕ Zb
●/-	-/●	●/-	●/-
iw	iw	iw	iw



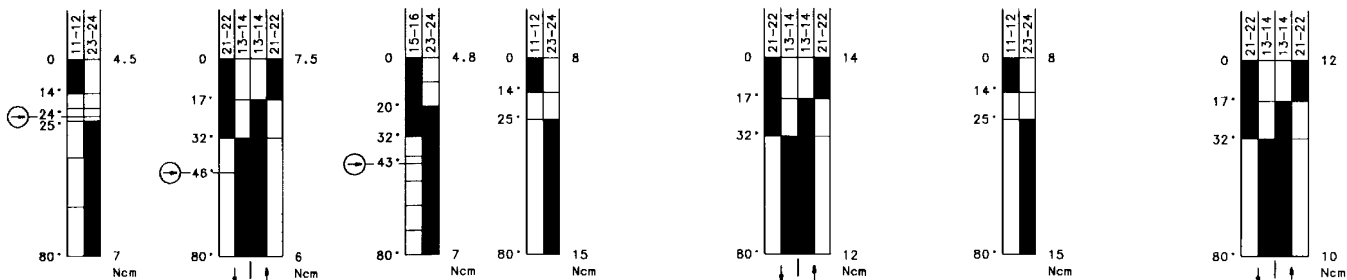
500 V AC	500 V AC	400 V AC	500 V AC
10 A	10 A	6 A	10 A
●	●	●	●
100/min.	100/min.	100/min.	100/min.
10 x 10 ⁶	10 x 10 ⁶	3 x 10 ⁶	10 x 10 ⁶
-30 °C/+80 °C	-30 °C/+80 °C	-30 °C/+80 °C	-30 °C/+80 °C
-22 °F/+176 °F	-22 °F/+176 °F	-22 °F/+176 °F	-22 °F/+176 °F

UL, CSA	UL, CSA	-	UL, CSA
0.15 kg/0.33 lb	0.15 kg/0.33 lb	0.15 kg/0.33 lb	0.15 kg/0.33 lb
●/-	●/-	●/-	●/-

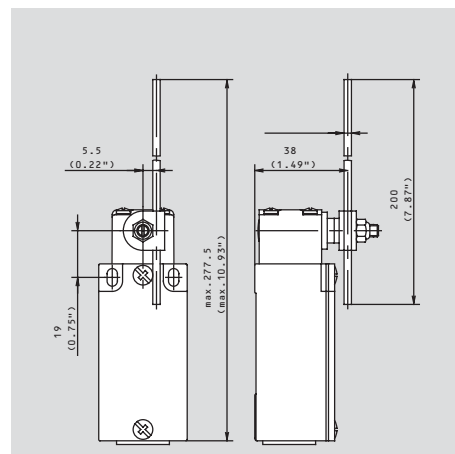
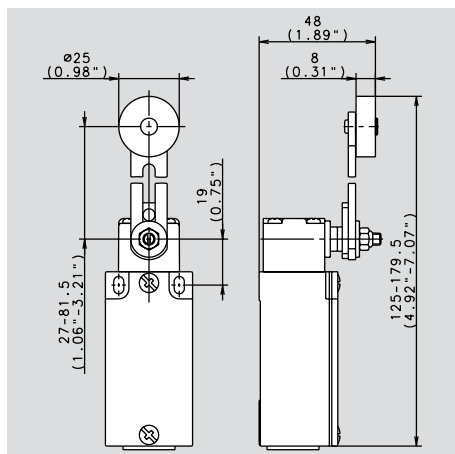
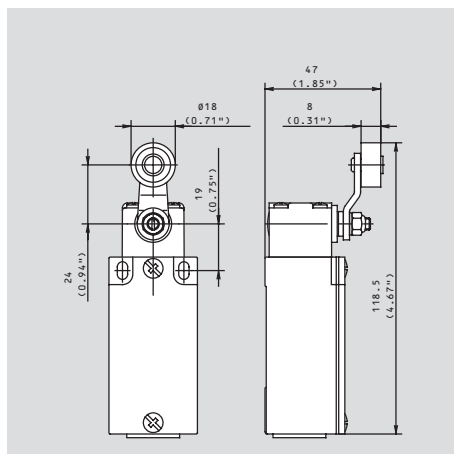




GC-U1Z AH 602.1135.102	GC-SU1Z AH 602.1385.634	GC-UV1Z AH 602.1335.133	GC-U1 AV 602.1136.104	GC-SU1 AV 602.1186.118	GC-U1 AD 602.1137.103	GC-SU1 AD 602.1187.125
iw	iw	iw	iw	iw	iw	iw



500 V AC	500 V AC	500 V AC	500 V AC	500 V AC	500 V AC	500 V AC
10 A	10 A	10 A	10 A	10 A	10 A	10 A
●	●	●	●	●	●	●
100/min.	100/min.	100/min.	100/min.	100/min.	100/min.	100/min.
10 x 10 ⁶	10 x 10 ⁶	10 x 10 ⁶	10 x 10 ⁶	10 x 10 ⁶	10 x 10 ⁶	10 x 10 ⁶
-30 °C/+80 °C	-30 °C/+80 °C	-30 °C/+80 °C	-30 °C/+80 °C	-30 °C/+80 °C	-30 °C/+80 °C	-30 °C/+80 °C
-22 °F/+176 °F	-22 °F/+176 °F	-22 °F/+176 °F	-22 °F/+176 °F	-22 °F/+176 °F	-22 °F/+176 °F	-22 °F/+176 °F
UL, CSA	UL, CSA	UL, CSA	UL, CSA	UL, CSA	UL, CSA	UL, CSA
0.20 kg/0.44 lb	0.20 kg/0.44 lb	0.20 kg/0.44 lb	0.23 kg/0.51 lb	0.23 kg/0.51 lb	0.22 kg/0.49 lb	0.22 kg/0.49 lb
●/-	●/-	●/-	●/-	●/-	●/-	●/-

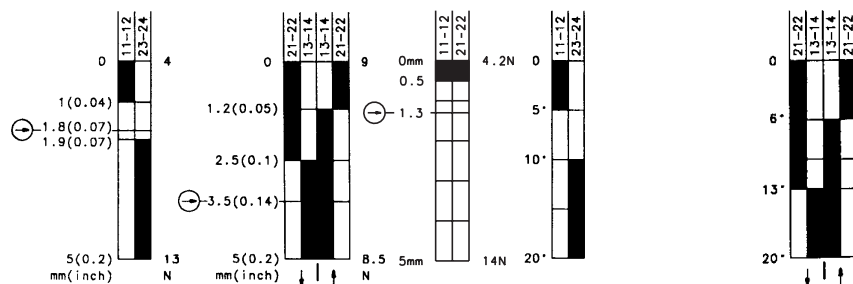




Designation
Part number
 Circuit diagram
 ⊕ Forced disconnect to IEC 947-5-1 chapter 3
 Za: not galvanically separated contacts
 Zb: galvanically separated contacts
 Slow make & break/snap-action
 Internal seal (iw)/external seal (w)

GC-U1Z Hiw	GC-SU1Z Hiw	GC-A2Z Hiw	GC-U1 FF	GC-SU1 FF
602.1120.057	602.1370.629	602.1820.175	602.1140.476	602.1190.100
⊕ Zb	⊕ Zb	⊕ Zb	Zb	Zb
●/-	-/●	●/-	●/-	-/●
iw	iw	iw	w	w

Contact travel mm
 Tol. ± 0.25 mm
 Actuator force N
 Tol. ± 10%
 Actuator angle °
 Tol. ± 3.5°
 Actuator torque Ncm
 Tol. ± 10%
 On Off



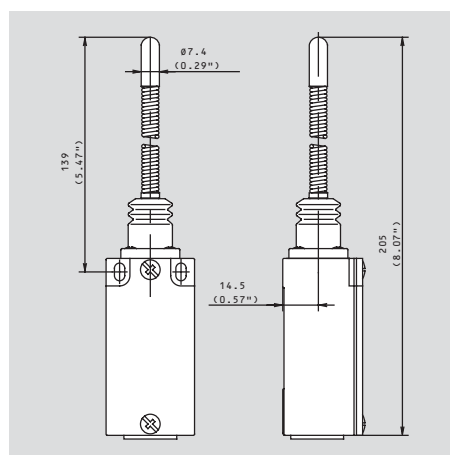
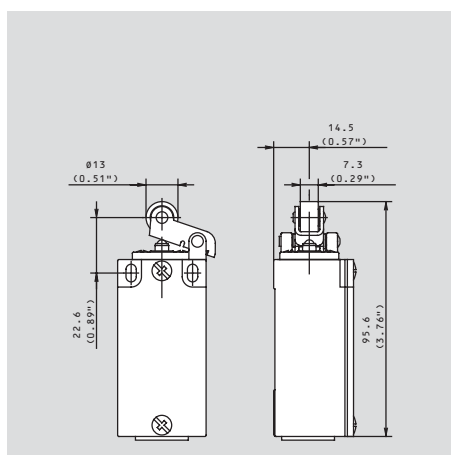
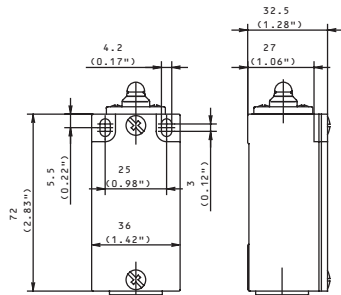
Voltage max.
 Permanent current max.
 In-rush current complies with standards
 IEC 947-5-1 AC 15/DC 13
 Switching frequency max.
 Mechanical life – number of switching actions
 Operating temperature min./max.

500 V AC	500 V AC	400 V AC	500 V AC	500 V AC
10 A	10 A	6 A	10 A	10 A
●	●	●	●	●
100/min.	100/min.	100/min.	100/min.	100/min.
10 x 10 ⁶	10 x 10 ⁶	3 x 10 ⁶	10 x 10 ⁶	10 x 10 ⁶
-30 °C/+80 °C	-30 °C/+80 °C	-30 °C/+80 °C	-30 °C/+80 °C	-30 °C/+80 °C
-22 °F/+176 °F	-22 °F/+176 °F	-22 °F/+176 °F	-22 °F/+176 °F	-22 °F/+176 °F

Approvals
 Weight
 Delivery: ex-stock/built to order

UL, CSA	UL, CSA	–	UL, CSA	UL, CSA
0.16 kg/0.35 lb	0.16 kg/0.35 lb	0.16 kg/0.35 lb	0.17 kg/0.37 lb	0.17 kg/0.37 lb
●/-	●/-	-/●	●/-	●/-

All dimensions in mm (inch)

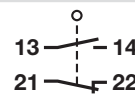
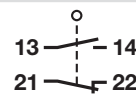
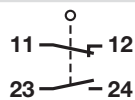




GC-U1 AF
602.1139.106

GC-SU1 AF
602.1189.128

GC-SU1 DR
602.1191.099



Zb
●/-

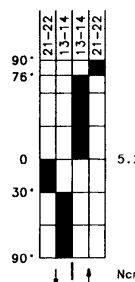
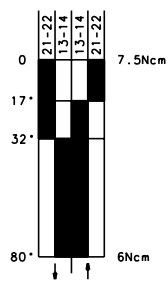
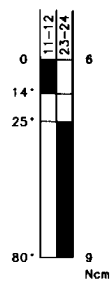
Zb
-/●

Zb
-/●

iv

iv

iv



500 V AC
10 A

500 V AC
10 A

500 V AC
10 A

100/min.

100/min.

100/min.

10 x 10⁶

10 x 10⁶

10 x 10⁶

-30 °C/+80 °C

-30 °C/+80 °C

-30 °C/+80 °C

-22 °F/+176 °F

-22 °F/+176 °F

-22 °F/+176 °F

UL, CSA

UL, CSA

UL, CSA

0.21 kg/0.46 lb

0.21 kg/0.46 lb

0.18 kg/0.40 lb

●/-

●/-

●/-

